



ET5X



Enterprise Tablet

Integrator Guide for Windows 10



ET5X
INTEGRATOR GUIDE FOR WINDOWS 10

MN-002941-03

Rev. A

December 2017

No part of this publication may be reproduced or used in any form, or by any electrical or mechanical means, without permission in writing from Zebra. This includes electronic or mechanical means, such as photocopying, recording, or information storage and retrieval systems. The material in this manual is subject to change without notice.

The software is provided strictly on an “as is” basis. All software, including firmware, furnished to the user is on a licensed basis. Zebra grants to the user a non-transferable and non-exclusive license to use each software or firmware program delivered hereunder (licensed program). Except as noted below, such license may not be assigned, sublicensed, or otherwise transferred by the user without prior written consent of Zebra. No right to copy a licensed program in whole or in part is granted, except as permitted under copyright law. The user shall not modify, merge, or incorporate any form or portion of a licensed program with other program material, create a derivative work from a licensed program, or use a licensed program in a network without written permission from Zebra. The user agrees to maintain Zebra’s copyright notice on the licensed programs delivered hereunder, and to include the same on any authorized copies it makes, in whole or in part. The user agrees not to decompile, disassemble, decode, or reverse engineer any licensed program delivered to the user or any portion thereof.

Zebra reserves the right to make changes to any software or product to improve reliability, function, or design.

Zebra does not assume any product liability arising out of, or in connection with, the application or use of any product, circuit, or application described herein.

No license is granted, either expressly or by implication, estoppel, or otherwise under any Zebra Technologies Corporation, intellectual property rights. An implied license only exists for equipment, circuits, and subsystems contained in Zebra products.

Revision History

Changes to the original guide are listed below:

Change	Date	Description
-01 Rev A	3/2017	Initial release.
-02 Rev. A	7/2017	Update battery charge times, update Expansion Back installation procedures, add new power supply part numbers.
-03 Rev.A	12/2017	Remove reference to CCX V4 from specifications. Add Cold Boot procedure.

TABLE OF CONTENTS

Revision History	iii
------------------------	-----

About This Guide

Introduction	ix
Documentation Set	ix
Configurations	ix
Chapter Descriptions	x
Notational Conventions	x
Related Documents and Software	xi
Service Information	xi

Chapter 1: Getting Started

Introduction	1-1
Unpacking	1-1
Getting Started	1-1
Installing a micro SIM Card (ET55 Only)	1-1
Charging the ET5X	1-5
Restarting the ET5X	1-5
Performing a Cold Boot	1-6

Chapter 2: Accessories

Introduction	2-1
Charge Only Cradle	2-4
Installing the Insert	2-5
Charging the ET5X	2-5
Communication and Charging Cradle	2-8
Installing the Insert	2-9
Charging the ET5X	2-9
Rugged Communication and Charging Cradle	2-12
Charging the ET5X	2-13
4-Slot Charge Only Cradle	2-16

Insert Installation	2-16
Guide Installation	2-17
Battery Charger Installation	2-19
Power Setup	2-20
Insert Tablet into Slot	2-20
ET5X without Rugged Frame	2-20
ET5X with Rugged Frame	2-21
Charging the Battery	2-22
4-Slot Battery Charger	2-23
Rugged Frame	2-26
Expansion Back	2-29
Installation	2-29
Programming the SE4710/SE4750 Expansion Backs	2-31
HID Keyboard Emulation Bar Code	2-31
Replacement Hand Strap	2-31
Attaching the Stylus to the Expansion Back	2-35
Removal	2-36

Chapter 3: Software

Introduction	3-1
Factory Reset	3-1
System Updates	3-2
Creating Installation USB Thumb Drive	3-2
Setup Using Communication Dock	3-4
Setup Using a USB Hub	3-4
Updating the Operating System	3-5
Checking Versions	3-9
Check ULPMC Version	3-9
Check BIOS Version	3-10
Check Operating System Version	3-10
Data Capture Application Development	3-11
Application Installation	3-11
Install from the Internet	3-11
Windows Store	3-11

Chapter 4: Maintenance and Troubleshooting

Introduction	4-1
Maintaining the ET5X	4-1
Battery Safety Guidelines	4-1
Cleaning	4-2
Materials Required	4-2
Cleaning the ET5X	4-2
Housing	4-2
Display	4-3
Power Connector	4-3
Cleaning Cradle Connectors	4-3
Cleaning Expansion Back Connectors	4-3
Cleaning Frequency	4-4

Troubleshooting 4-5

 ET5X 4-5

 Charge Only Cradle 4-6

 Communication and Charging Cradles 4-6

 Expansion Backs 4-7

Appendix A: Specifications

Technical Specifications A-1

 ET5X A-1

 SE4710 Expansion Back Decode Range A-4

 SE4750 Expansion Back Decode Range A-5

 SE4750 SR Decode Ranges A-5

 SE4750 MR Decode Ranges A-6

Accessory Specifications A-7

 Charge Only Cradle A-7

 Communication and Charging Cradle A-7

 Rugged Communication and Charging Cradle A-8

 Expansion Backs A-8

ABOUT THIS GUIDE

Introduction

This guide provides information about configuring and setting up the ET5X and accessories.

✓ **NOTE** Screens and windows pictured in this guide are samples and can differ from actual screens.

Documentation Set

The documentation set for the ET5X is divided into guides that provide information for specific user needs.

- **ET5X Quick Reference Guide** - describes how to get the ET5X tablet up and running.
- **ET5X User Guide** - describes how to use the ET5X tablet.
- **ET5X Integrator Guide** - describes how to setup, the ET5X and accessories.

Configurations

This guide covers the following configurations:

Configuration	Operating System	Radios	Display	Memory	Data Capture
ET50NE	Windows® 10 Pro	WLAN: 802.11a/b/g/n WPAN: Bluetooth	8" color	4 GB RAM/ 64 GB Flash	Optional SE4710 or SE4750 Expansion Backs
ET55AE	Windows® 10 Pro	WLAN: 802.11a/b/g/n WPAN: Bluetooth WWAN: NA - LTE	8" color	4 GB RAM/ 64 GB Flash	Optional SE4710 or SE4750 Expansion Backs
ET55RE	Windows® 10 Pro	WLAN: 802.11a/b/g/n WPAN: Bluetooth WWAN: ROW - LTE	8" color	4 GB RAM/ 64 GB Flash	Optional SE4710 or SE4750 Expansion Backs

Configuration	Operating System	Radios	Display	Memory	Data Capture
ET50NT	Windows® 10 Pro	WLAN: 802.11a/b/g/n WPAN: Bluetooth	10" color	4 GB RAM/ 64 GB Flash	Optional SE4710 or SE4750 Expansion Backs
ET55AT	Windows® 10 Pro	WLAN: 802.11a/b/g/n WPAN: Bluetooth WWAN: NA - LTE	10" color	4 GB RAM/ 64 GB Flash	Optional SE4710 or SE4750 Expansion Backs
ET55RT	Windows® 10 Pro	WLAN: 802.11a/b/g/n WPAN: Bluetooth WWAN: ROW - LTE	10" color	4 GB RAM/ 64 GB Flash	Optional SE4710 or SE4750 Expansion Backs

Chapter Descriptions

Topics covered in this guide are as follows:

- [Chapter 1, Getting Started](#), provides information on getting the tablet up and running for the first time.
- [Chapter 2, Accessories](#), describes the accessories available for the tablet and how to use the accessories with the tablet.
- [Chapter 3, Software](#), explains how to use the tablet. This includes instructions for powering on and resetting the tablet, entering and capturing data.
- [Chapter 4, Maintenance and Troubleshooting](#), includes instructions on cleaning and storing the tablet, and provides troubleshooting solutions for potential problems during tablet operation.
- [Appendix A, Specifications](#), includes a table listing the technical specifications for the tablet.

Notational Conventions

The following conventions are used in this document:

- “tablet” refers to the Zebra ET5X tablet.
- *Italics* are used to highlight the following:
 - Chapters and sections in this guide
 - Related documents
- **Bold** text is used to highlight the following:
 - Dialog box, window and screen names
 - Drop-down list and list box names
 - Check box and radio button names
 - Icons on a screen
 - Key names on a keypad
 - Button names on a screen.
- Bullets (•) indicate:
 - Action items
 - Lists of alternatives
 - Lists of required steps that are not necessarily sequential.

- Sequential lists (e.g., those that describe step-by-step procedures) appear as numbered lists.

Related Documents and Software

The following documents provide more information about the ET5X tablets.

- *ET5X Quick Reference Guide*, p/n MN001844Axx
- *ET5X User Guide for Microsoft Windows 10*, p/n MN-002940-xx

For the latest version of this guide and all guides, go to: <http://www.zebra.com/support>.

Service Information

If you have a problem with your equipment, contact Zebra Global Customer Support for your region. Contact information is available at: <http://www.zebra.com/support>.

When contacting support, please have the following information available:

- Serial number of the unit
- Model number or product name
- Software type and version number.

Zebra responds to calls by email, telephone or fax within the time limits set forth in support agreements.

If your problem cannot be solved by Zebra Customer Support, you may need to return your equipment for servicing and will be given specific directions. Zebra is not responsible for any damages incurred during shipment if the approved shipping container is not used. Shipping the units improperly can possibly void the warranty.

If you purchased your Zebra business product from a Zebra business partner, contact that business partner for support.

CHAPTER 1 GETTING STARTED

Introduction

This chapter explains how to set the device up for the first time.

Unpacking

Carefully remove all protective material from around the ET5X and save the shipping container for later storage and shipping.

Verify that you received all equipment listed below:

- Table with lithium-ion battery
- Quick Reference Guide.

Inspect the equipment for damage. If you are missing any equipment or if you find any damaged equipment, contact the Zebra Support Center immediately. See [page xi](#) for contact information.

Getting Started

In order to start using the ET5X for the first time:

- install the micro SIM Card (ET55 only)
- install microSD card (optional)
- start the ET5X
- configure the ET5X.

Installing a micro SIM Card (ET55 Only)



CAUTION Do not use nano to micro SIM card adapters.

To install a micro SIM card:

1. Press the Power button to turn off the ET55.
2. Lift the notched corner of the battery cover.

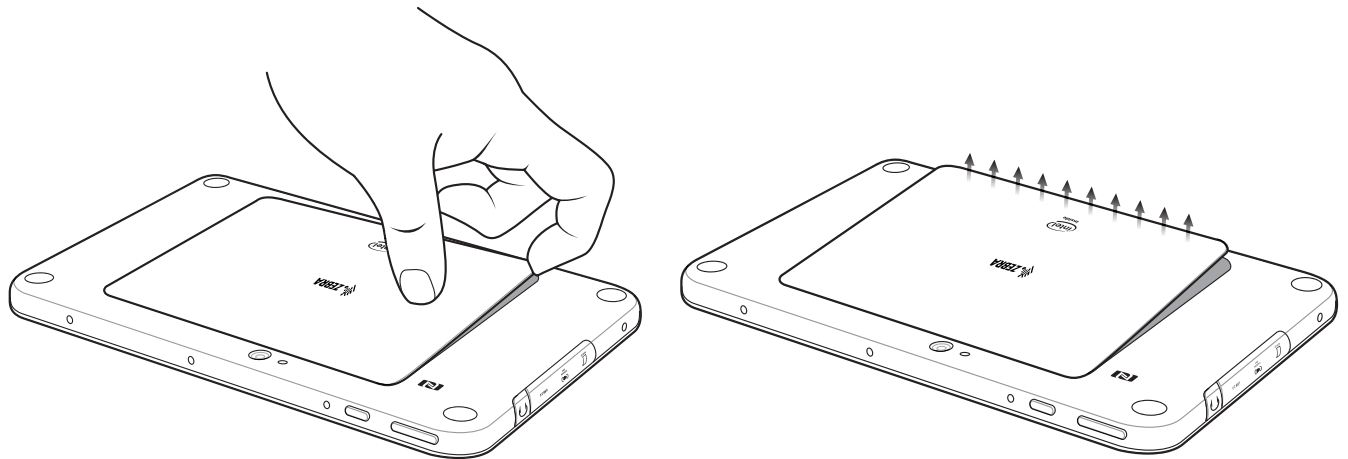
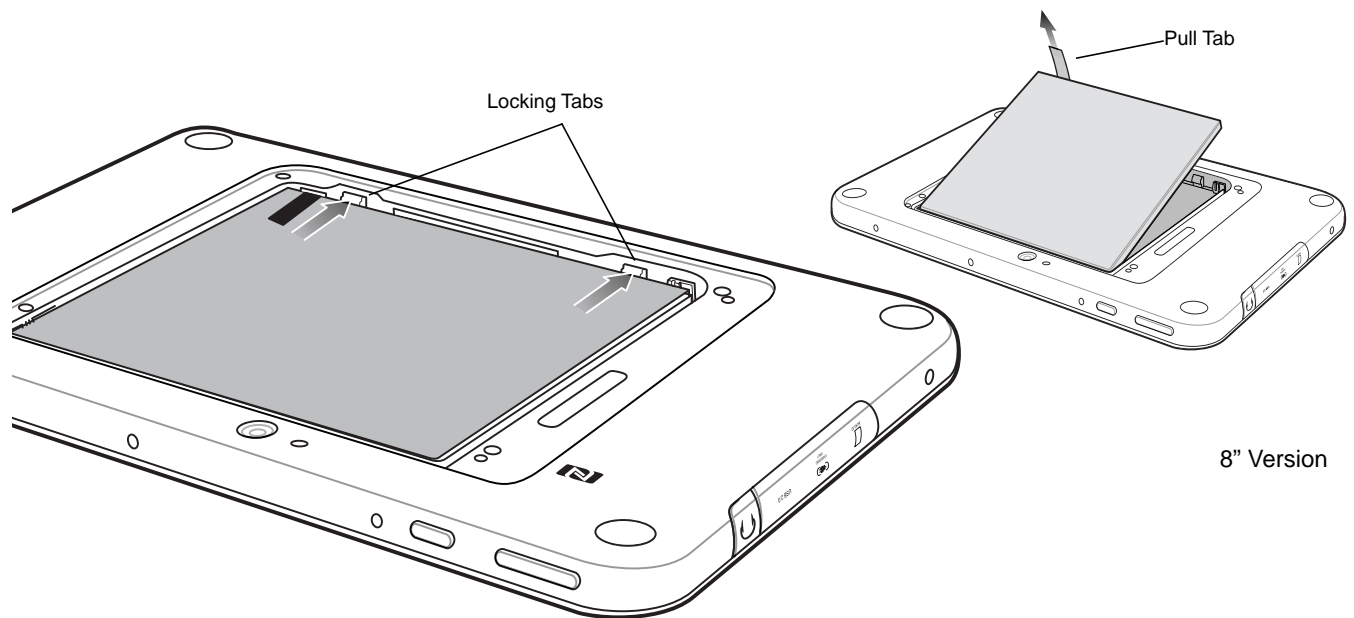


Figure 1-1 *Removing the Battery Cover*

3. Carefully lift the battery cover off the ET55.
4. On the 8" version, push the two locking tabs up, then pull up on the tab to remove battery.
On the 10" version, push the two locking tabs up (1), then, using index fingers, lift the battery up (2).



8" Version

Figure 1-2 *Removing the Battery - 8"*

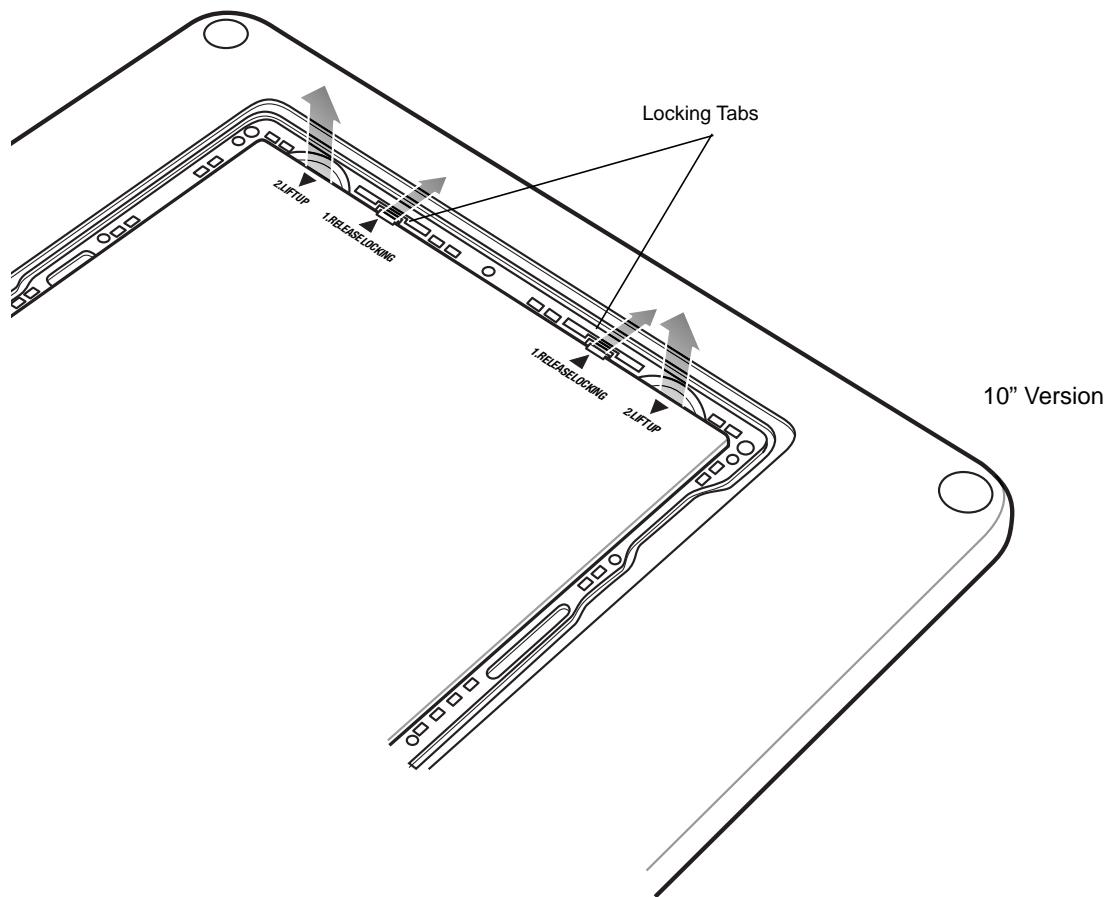


Figure 1-3 Removing the Battery - 10"

5. Insert the micro SIM card with contacts facing down.

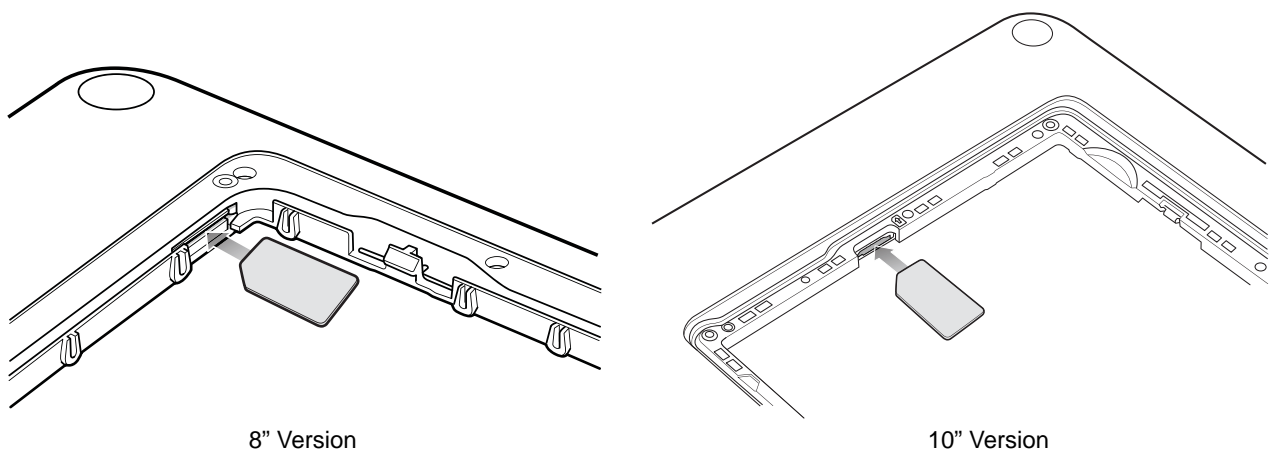


Figure 1-4 Insert SIM Card

6. Push the SIM card in and ensure that it locks into place.
7. Replace the battery.
 - On the 10" version, ensure that the two battery latches engage.

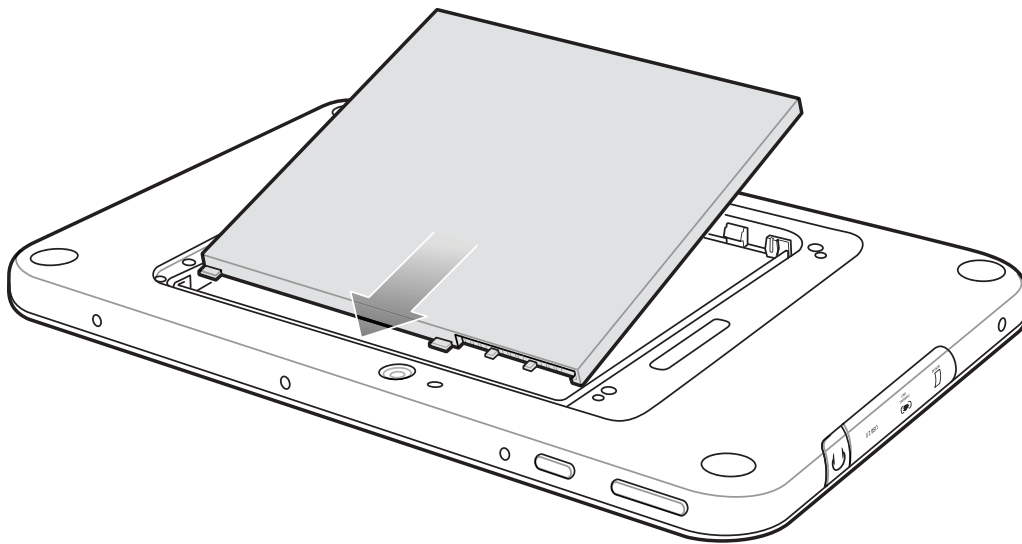


Figure 1-5 *Insert Battery*



CAUTION Be aware of the orientation of the battery cover. Failure to replace the battery cover properly may damage the battery cover.

8. Align the tabs on the underside of the cover with the slot around the battery well. Make sure that the notch on the battery cover is at the bottom left corner of the ET5X.

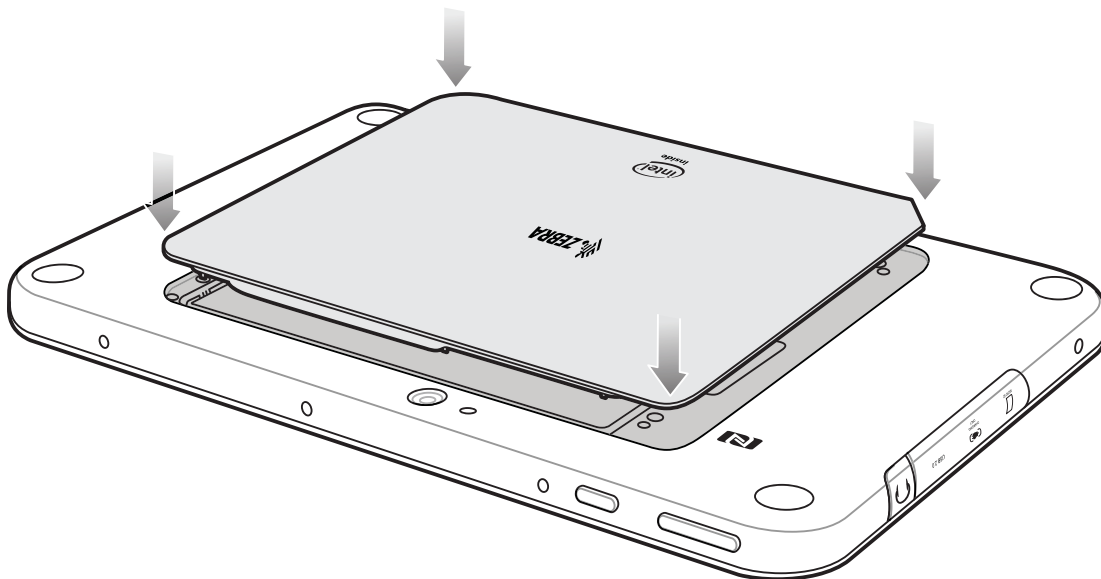


Figure 1-6 *Align Battery Cover*

9. Carefully press down around the edge of the cover. Make sure that the cover is seated properly.

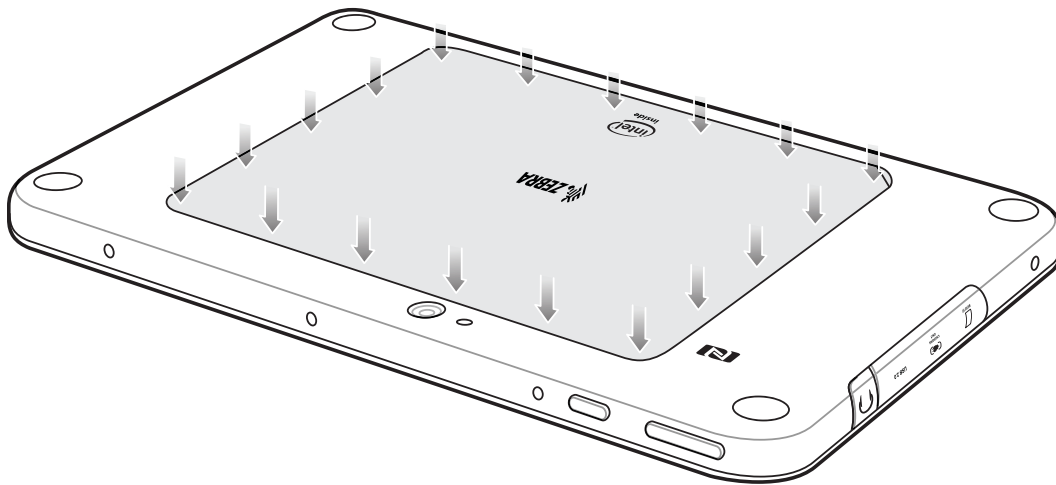


Figure 1-7 Press Down on Battery Cover

10. Press Power button to turn on the ET55.

Charging the ET5X

Use the one of the available accessories to charge the ET5X. See [Chapter 2, Accessories](#) for charging accessories.

The 8" tablet main battery charges from fully depleted to 90% in approximately 2.5 hours and from fully depleted to 100% in approximately 3.5 hours.

The 10" tablet main battery charges from fully depleted to 90% in approximately three hours and from fully depleted to 100% in approximately four hours.



- ✓ **NOTE** The Charging indicator only illuminates when the ET5X is connected to AC power.

Table 1-1 Charging Indicator

LED	Indication
Off	ET5X is not in cradle. ET5X is not seated properly. Cradle is not powered.
Orange	ET5X is charging.
Green	Charging complete. Note: When the battery is initially inserted in the ET5X.
Red	Error in charging; check placement of the ET5X.

Restarting the ET5X

If the ET5X is running slow or some applications are not functioning properly, reset the device:

1. Touch .
2. Touch  > **Reset**.

3. The device restarts.

Performing a Cold Boot

If the ET5X does not respond to any input, perform a cold boot:

1. Press and hold the power button for at least 10 seconds. The ET5X shuts down.
2. Press the Power button to turn on the device.

CHAPTER 2 ACCESSORIES

Introduction

The ET5X accessories provide a variety of product support capabilities. [Table 2-1](#) lists the accessories available.

Table 2-1 *ET5X Accessories*

Accessory	Part Number	Description
Cradles		
Charge Only Cradle	CRD-ET5X-1SCG1	Charges the ET5X main battery and optional Power Pack installed in the Expansion Back. Requires power supply PWR-BGA12V50W0WW, DC line cord CBL-DC-388A1-01 and country-specific AC line cord.
Communication and Charging Cradle	CRD-ET5X-1SCOM1	Charges the ET5X main battery and optional Power Pack installed in the Expansion Back. Requires power supply PWR-BGA12V50W0WW, DC line cord CBL-DC-388A1-01 and country-specific AC line cord.
Rugged Communication and Charging Cradle	CRD-ET5X-1SCOM1R	Charges the ET5X main battery and optional Power Pack installed in the Expansion Back. Supports ET5X with rugged frame and rugged IO Adapter. Requires PWR-BGA12V50W0WW, DC line cord CBL-DC-388A1-01 and country-specific AC line cord.
Chargers		
Power Supply	PWR-BGA12V108W0WW	Provides power to the 4-Slot Charge Only Cradle.
Power Supply	PWR-BGA12V50W0WW	Provides power to the Charge Only Cradle, the Communication and Charging Cradles, the 4-Slot Battery Charger, and Rugged Charge Connector.

Table 2-1 ET5X Accessories

Accessory	Part Number	Description
4-Slot Battery Charger	SAC-ET5X-4PPK1-01	Chargers up to four Power Packs. Requires power supply PWR-BGA12V50W0WW, DC Line cord CBL-DC-388A1-01, and country-specific AC line cord.
Rugged Charge Connector	CHG-ET5X-CBL1-01	Charges the ET5X main battery and optional Power Pack installed in the Expansion Back. Requires power supply PWR-BGA12V50W0WW, DC Line Cord CBL-DC-388A1-01 and country-specific AC line cord.
Miscellaneous		
Replacement 8" Internal Battery	BTRY-ET5X-8IN1-01	Replacement battery for 8" tablet.
Replacement 10" Internal Battery	BTRY-ET5X-10IN1-01	Replacement battery for 10" tablet.
Replacement 8" Battery Cover	KT-ET5X-8BTDR1-01	Replacement battery cover for 8" tablet.
Replacement 10" Battery Cover	KT-ET5X-10BTDR1-01	Replacement battery cover for 10" tablet.
8" Rugged Frame with IO Adapter	SG-ET5X-8RCSE1-02	Add extra protection for the 8" tablet and IO Adapter for connection to the Rugged Communication and Charging Cradle.
10" Rugged Frame with IO Adapter	SG-ET5X-10RCSE1-01	Add extra protection for the 10" tablet and IO Adapter for connection to the Rugged Communication and Charging Cradle.
Replacement Rugged IO Connector	SG-ET5X-RGIO1-01	Replacement rugged IO connector for the Rugged Frames.
8" SE4750 Expansion Back	ZBK-ET5X-8SCN5-01	Provides data capture using the SE4750 scan engine, rotating hand strap and slot for optional Power Pack.
8" SE4710 Expansion Back	ZBK-ET5X-8SCN1-01	Provides data capture using the SE4710 scan engine, rotating hand strap and slot for optional Power Pack.
8" Expansion Back	ZBK-ET5X-8RH1-01	Provides rotating hand strap and slot for optional Power Pack.
10" SE4750 Expansion Back	ZBK-ET5X-10SCN5-01	Provides data capture using the SE4750 scan engine, rotating hand strap and slot for optional Power Pack.
10" SE4710 Expansion Back	ZBK-ET5X-10SCN1-01	Provides data capture using the SE4710 scan engine, rotating hand strap and slot for optional Power Pack.

Table 2-1 ET5X Accessories

Accessory	Part Number	Description
10" Expansion Back	ZBK-ET5X-10RH1-01	Provides rotating hand strap and slot for optional Power Pack.
Power Pack	BTRY-ET5X-PRPK1-01	Provides additional power for charging the ET5X battery using an Expansion Back.
Active Stylus	KT-ET5X-ASTY1-01	Provides easy writing, drawing, and navigation and accuracy with the thin tip and hovering capabilities.
Replacement Expansion Back Hand Strap	SG-ET5X-RHTP1-01	Replacement hands strap for Expansion Backs.
Coiled Stylus Tether	SG-ET5X-SLTETR-01	Secures a stylus to the hand strap on the Expansion Backs.
10" Screen Protector	KT-ET5X-10SCRN1-01	Provides additional screen protection for 10" tablet (5-pack).
8" Screen Protector	KT-ET5X-8SCRN1-01	Provides additional screen protection for 8" tablet (5-pack).
10" Screen Protector (Rugged Frame)	KT-ET5X-8SCRN1-01	Provides additional screen protection for 10" tablet with Rugged Frame (5-pack).
8" Screen Protector (Rugged Frame)	KT-ET5X-10SCRN1-02	Provides additional screen protection for 8" tablet with Rugged Frame (5-pack).
8" Operations Case	SG-ET5X-8HLST-01	Provides carrying solution for 8" tablet.
10" Operations Case	SG-ET5X-10HLST-01	Provides carrying solution for 10" tablet.
Universal Shoulder Strap	58-40000-007R	Use with the 8" Operations Case and D-clips to carry tablet on shoulder.

Charge Only Cradle



CAUTION Ensure that you follow the guidelines for battery safety described in *Battery Safety Guidelines on page 4-1*.

This section describes how to use a Charge Only Cradle with the ET5X. The Charge Only Cradle ships with an insert that must be installed when inserting an ET5X without the protective boot installed.

The Charge Only Cradle:

- Provides power for operating the ET5X.
- Charges the ET5X's battery and optional Power Pack installed in an Expansion Back.

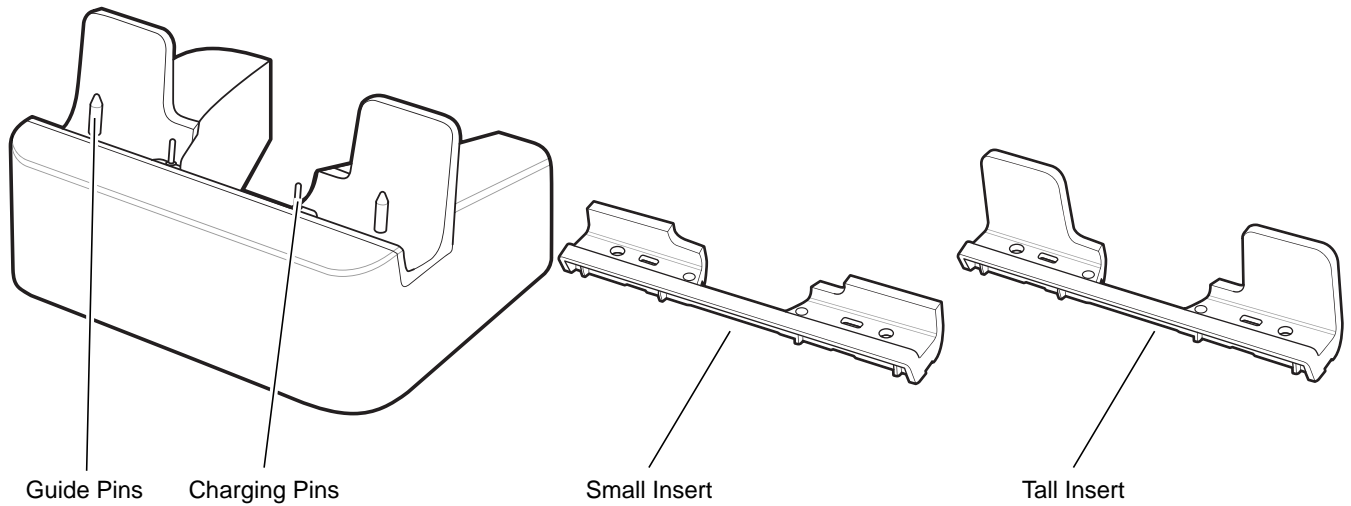


Figure 2-1 Charge Only Cradle - Front View

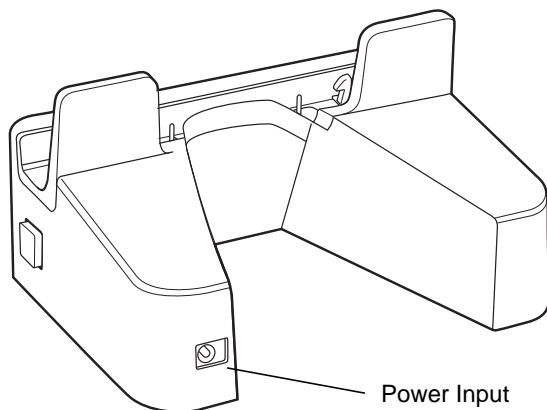


Figure 2-2 Charge Only Cradle - Rear View

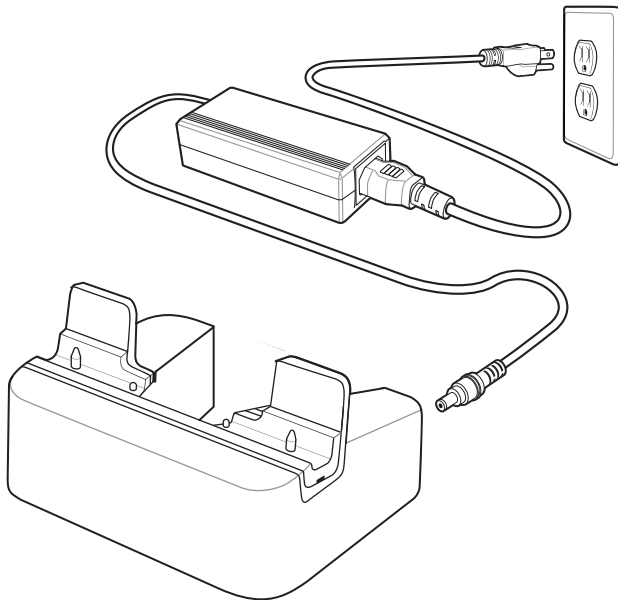


Figure 2-3 *Charge Only Cradle - Setup*

Installing the Insert

The insert must be installed onto the cradle when docking an ET5X without a protective boot.

1. Align the insert over the pins.

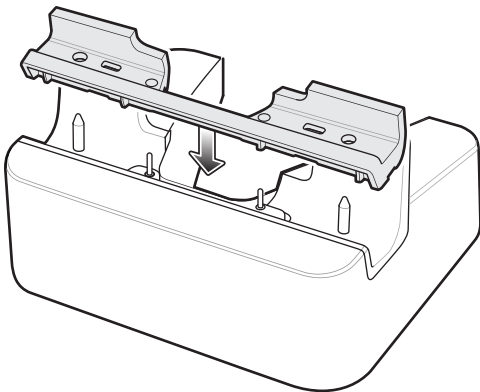


Figure 2-4 *Align Insert with Cradle*

2. Press the insert down until it seats flush in the cradle.

Charging the ET5X

To charge the ET5X in the Charge Only Cradle:

1. Align the ET5X with the alignment pins on the cradle.
2. Insert the ET5X into the cradle.

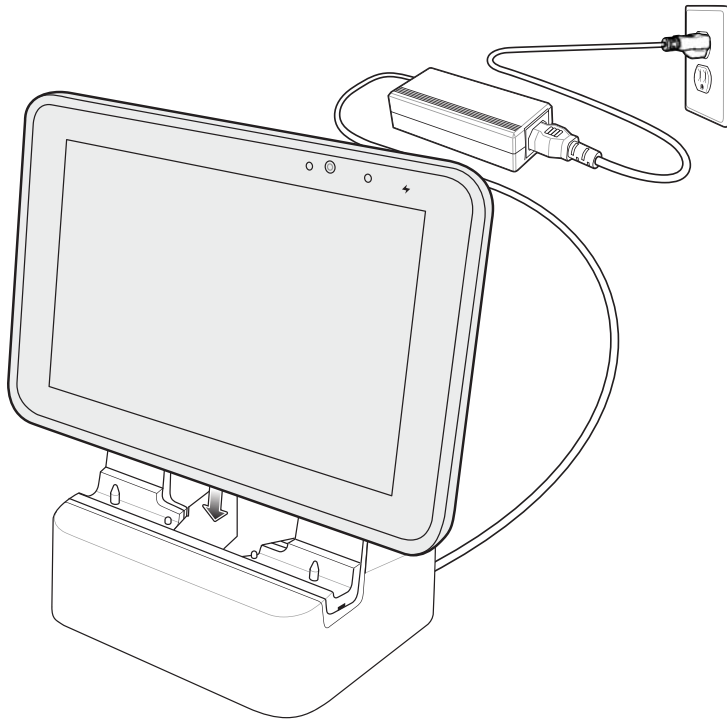


Figure 2-5 *Insert ET5X into Charge Only Cradle*

3. The ET5X Charging LED indicates charging.
4. To remove the ET5X from the Charge Only Cradle, hold the cradle down with one hand and lift the ET5X.

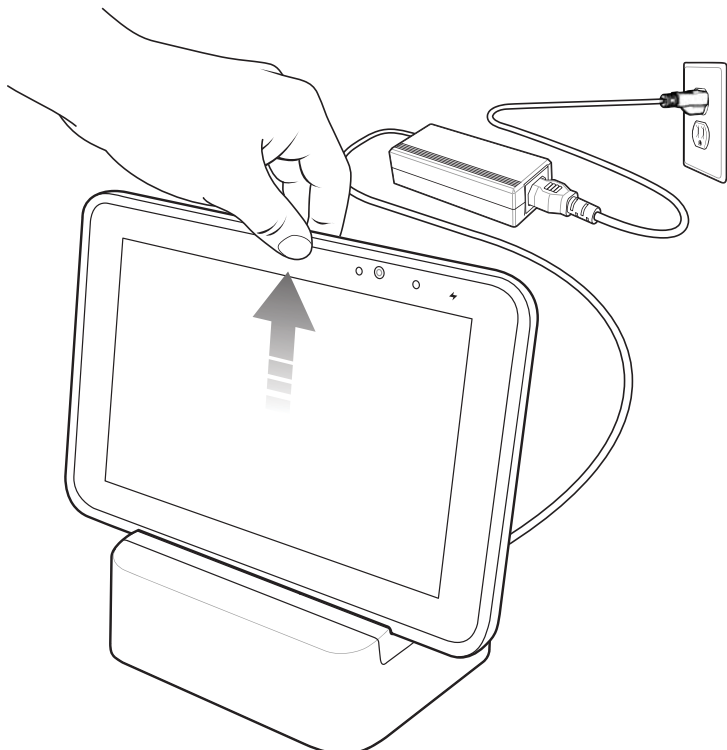


Figure 2-6 *Remove ET5X from Charge Only Cradle*

Charge batteries in ambient temperatures from 0°C to 40°C (32°F to 104°F) as reported by the battery. Charging is intelligently controlled by the charger. To accomplish this, for small periods of time, the charger alternately enables and disables battery charging to keep the battery at acceptable temperatures.

The ET5X's amber charge LED shows the status of the battery charging in the ET5X. See [Table 1-1 on page 1-5](#) for charging status indications.

The 8" tablet main battery charges from fully depleted to 90% in approximately 2.5 hours and from fully depleted to 100% in approximately 3.5 hours.

The 10" tablet main battery charges from fully depleted to 90% in approximately three hours and from fully depleted to 100% in approximately four hours.

✓ **NOTE** The Charging indicator only illuminates when the ET5X is connected to AC power.

Table 2-2 *Charging Indicator*

LED	Indication
Off	ET5X is not in cradle. ET5X is not seated properly. Cradle is not powered.
Orange	ET5X is charging.
Green	Charging complete.
Red	Error in charging; check placement of the ET5X.

Communication and Charging Cradle



CAUTION Ensure that you follow the guidelines for battery safety described in *Battery Safety Guidelines* on page 4-1.

This section describes how to use a Communication and Charging Cradle with the ET5X.

The Communication and Charging cradle:

- Provides power for operating the ET5X.
- Provides ports for connecting USB devices to the tablet, video output and connection to a LAN.
- Charges the ET5X's battery and optional Power Pack installed in an Expansion Back.

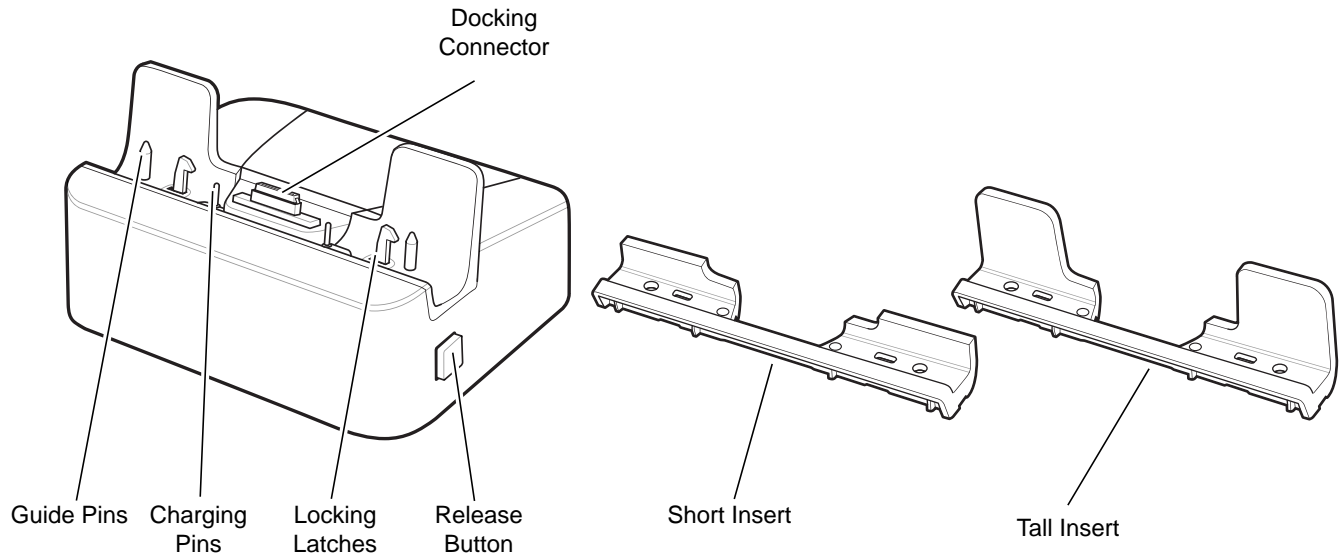


Figure 2-7 Communication and Charging Cradle - Front View

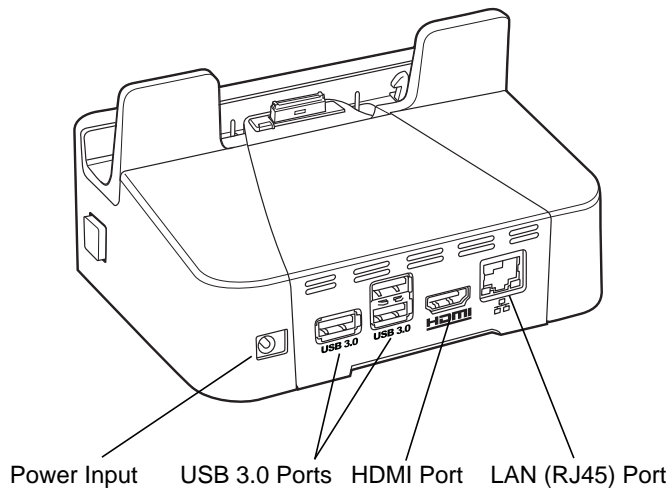


Figure 2-8 Communication and Charging Cradle - Rear View

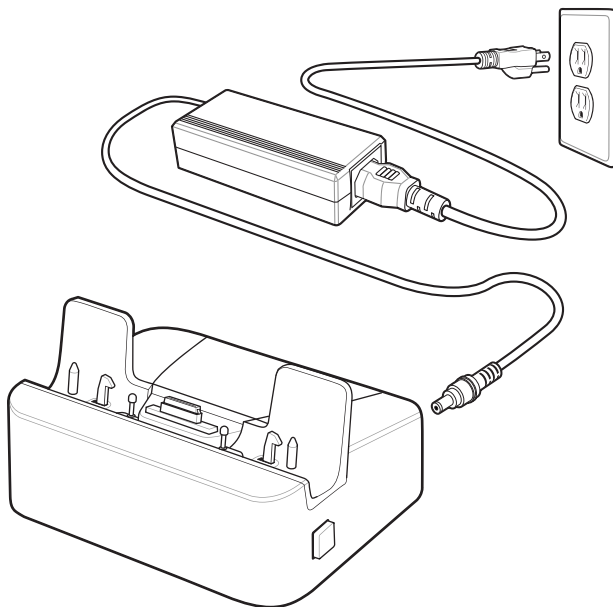


Figure 2-9 *Communication and Charging Cradle - Setup*

Installing the Insert

The insert must be installed onto the cradle when docking an ET5X without a protective boot.

1. Align the insert over the pins.

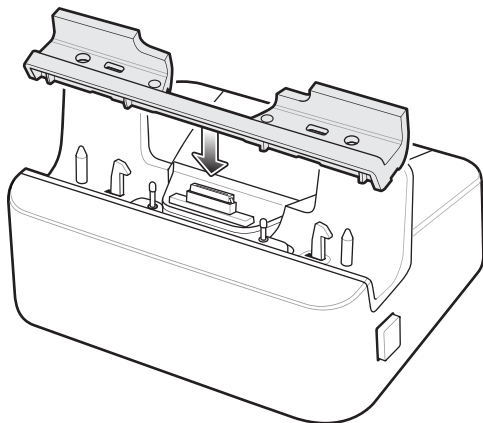


Figure 2-10 *Align Insert with Cradle*

2. Press the insert down until it seats flush in the cradle.

Charging the ET5X

To charge the ET5X in the Communication and Charging Cradle:

1. Open the bottom access door and hold it to the back of the tablet.
2. Align the ET5X with the alignment pins on the cradle.
3. Insert the ET5X into the cradle. Note that the Communication and Charging Cradles contains a locking mechanism that locks the ET5X to the cradle.

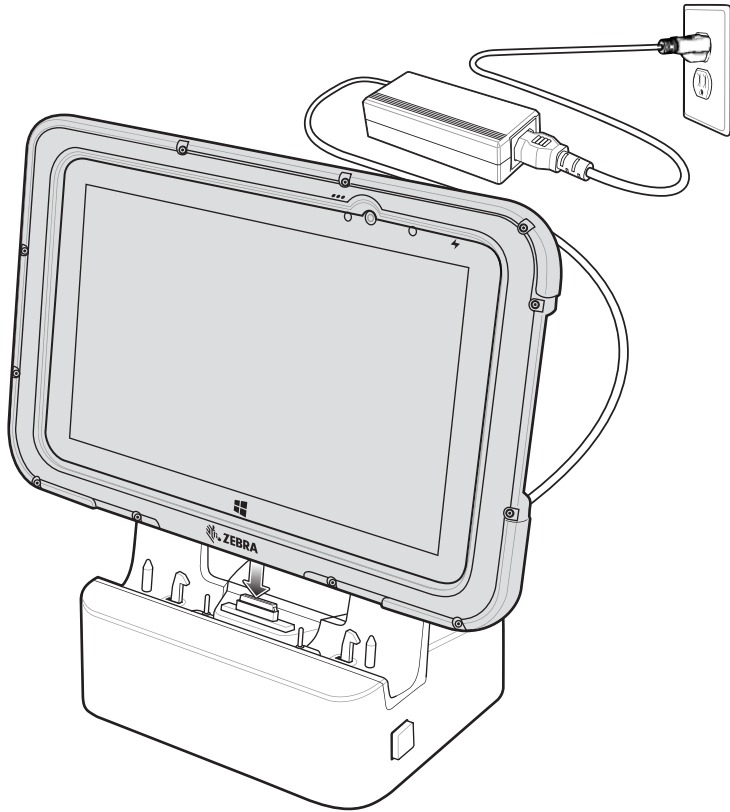


Figure 2-11 *Insert ET5X with Rugged Frame into Communication and Charging Cradle*

4. The ET5X Charging LED indicates charging.
5. To remove the ET5X from the Communication and Charging Cradle, press the release button on the right side of the cradle and lift the ET5X. Use thumb to hold down the cradle.

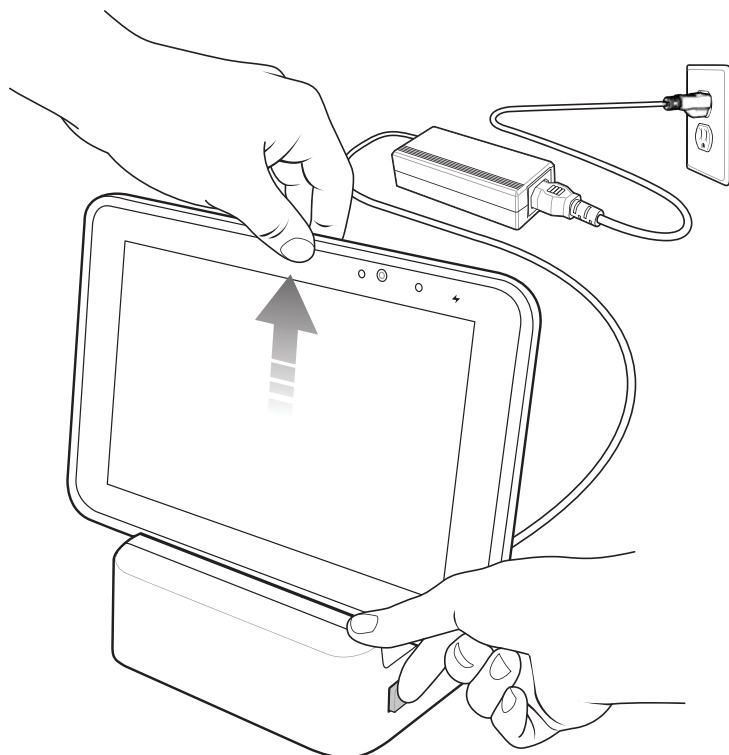


Figure 2-12 Remove ET5X from Communication and Charging Cradles

Charge batteries in ambient temperatures from 0°C to 40°C (32°F to 104°F) as reported by the battery. Charging is intelligently controlled by the charger. To accomplish this, for small periods of time, the charger alternately enables and disables battery charging to keep the battery at acceptable temperatures.

The ET5X's amber charge LED shows the status of the battery charging in the ET5X. See [Table 1-1 on page 1-5](#) for charging status indications.

The 8" tablet main battery charges from fully depleted to 90% in approximately 2.5 hours and from fully depleted to 100% in approximately 3.5 hours.

The 10" tablet main battery charges from fully depleted to 90% in approximately three hours and from fully depleted to 100% in approximately four hours.

Rugged Communication and Charging Cradle



CAUTION Ensure that you follow the guidelines for battery safety described in *Battery Safety Guidelines* on page 4-1.

This section describes how to use a Rugged Communication and Charging Cradle with the ET5X.

The Rugged Communication and Charging cradle:

- Provides power for operating the ET5X.
- Provides ports for connecting USB devices to the tablet, video output and connection to a LAN.
- Charges the ET5X's battery and optional Power Pack installed in an Expansion Back.

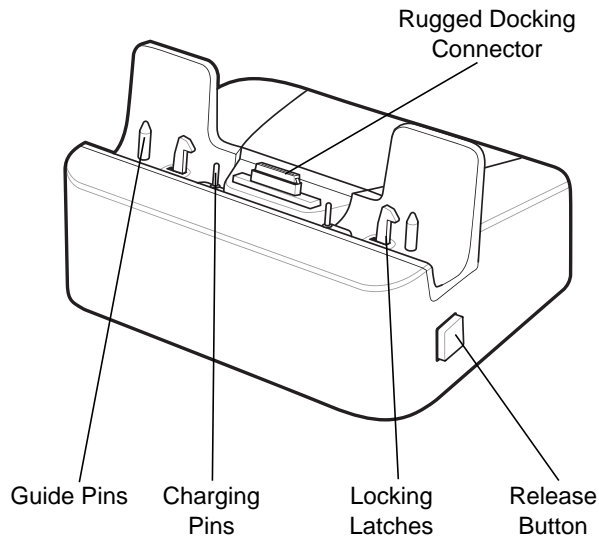


Figure 2-13 Rugged Communication and Charging Cradle - Front View

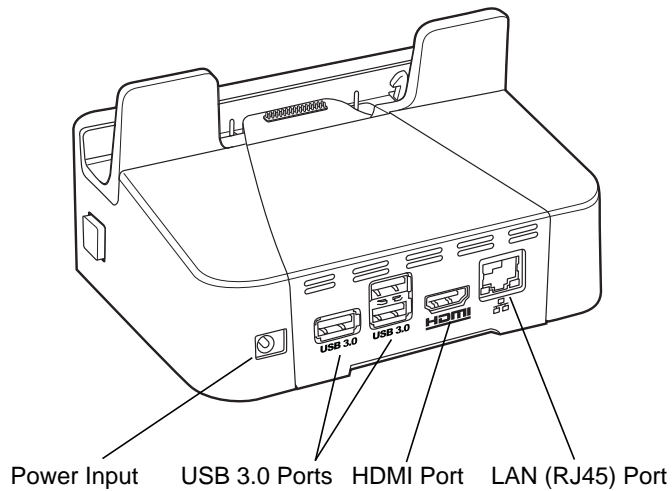


Figure 2-14 Rugged Communication and Charging Cradle - Rear View

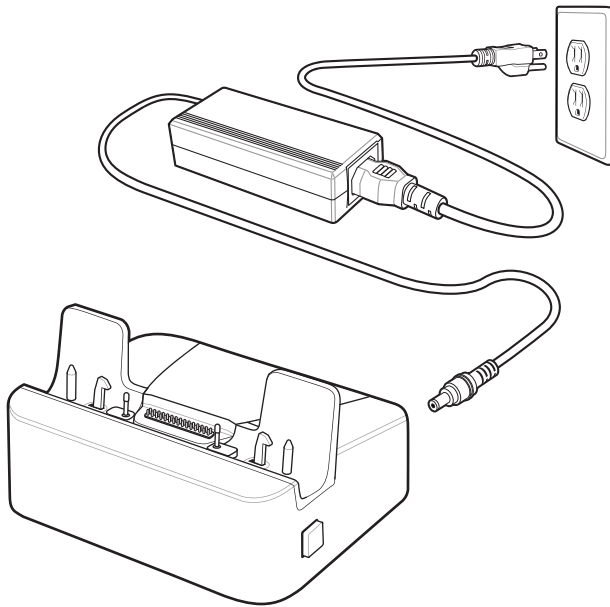


Figure 2-15 *Rugged Communication and Charging Cradle - Setup*

Charging the ET5X

To charge the ET5X using the Rugged Communication and Charging Cradle:

1. Align the ET5X with the alignment pins on the cradle.
2. Insert the ET5X into the cradle. Note that the Rugged Communication and Charging Cradles contains a locking mechanism that locks the ET5X to the cradle.

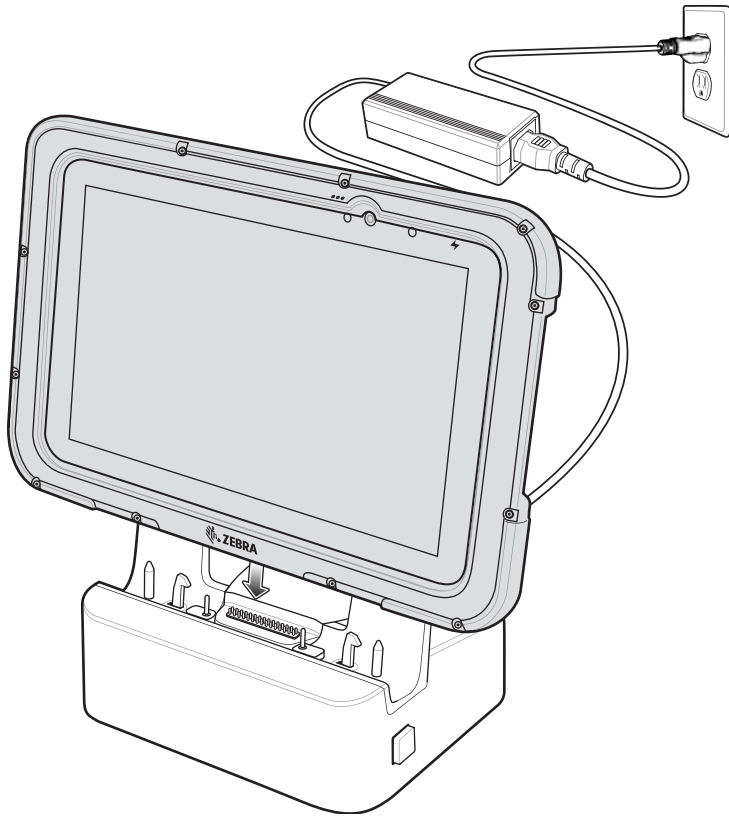


Figure 2-16 *Insert ET5X with Rugged Frame and IO Adapter into Rugged Communication and Charging Cradle*

3. The ET5X Charging LED indicates charging.
4. To remove the ET5X from the Rugged Communication and Charging Cradle, press the release button on the right side of the cradle and lift the ET5X. Use thumb to hold down the cradle.

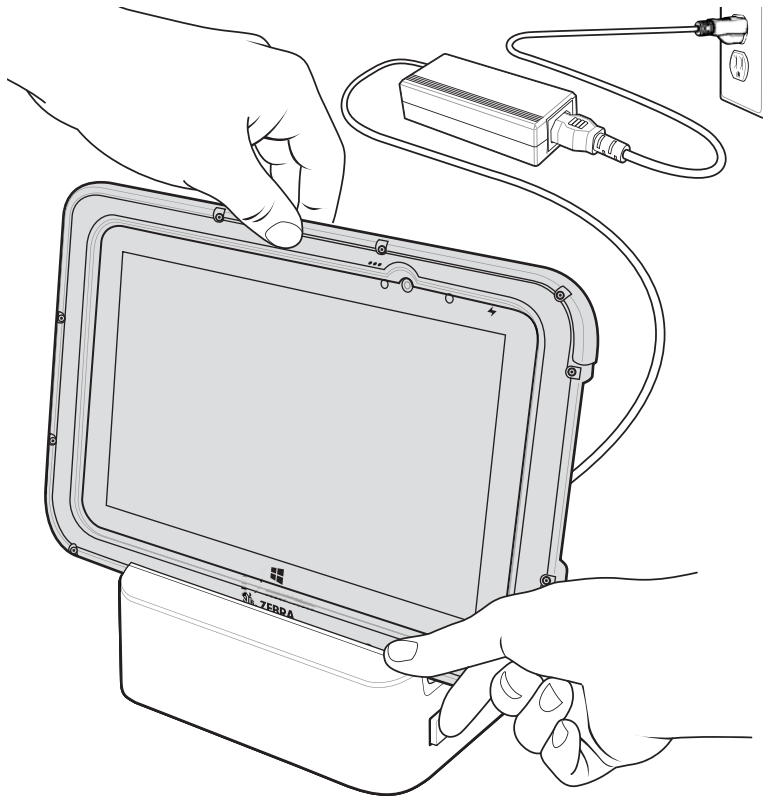


Figure 2-17 Remove ET5X from Rugged Communication and Charging Cradles

Charge batteries in ambient temperatures from 0°C to 40°C (32°F to 104°F) as reported by the battery. Charging is intelligently controlled by the charger. To accomplish this, for small periods of time, the charger alternately enables and disables battery charging to keep the battery at acceptable temperatures.

The ET5X's amber charge LED shows the status of the battery charging in the ET5X. See [Table 1-1 on page 1-5](#) for charging status indications.

The 8" tablet main battery charges from fully depleted to 90% in approximately 2.5 hours and from fully depleted to 100% in approximately 3.5 hours.

The 10" tablet main battery charges from fully depleted to 90% in approximately three hours and from fully depleted to 100% in approximately four hours.

4-Slot Charge Only Cradle



CAUTION Ensure that you follow the guidelines for battery safety described in *Battery Safety Guidelines on page 4-1*.

- Provides 5 VDC power for operating the ET5X.
- Simultaneously charges up to four ET5Xs and up to four Power Packs using the optional Battery Charger Adapter. See the *ET5X Integrator Guide* for information on installing the 4-Slot Battery Charger onto the cradle.

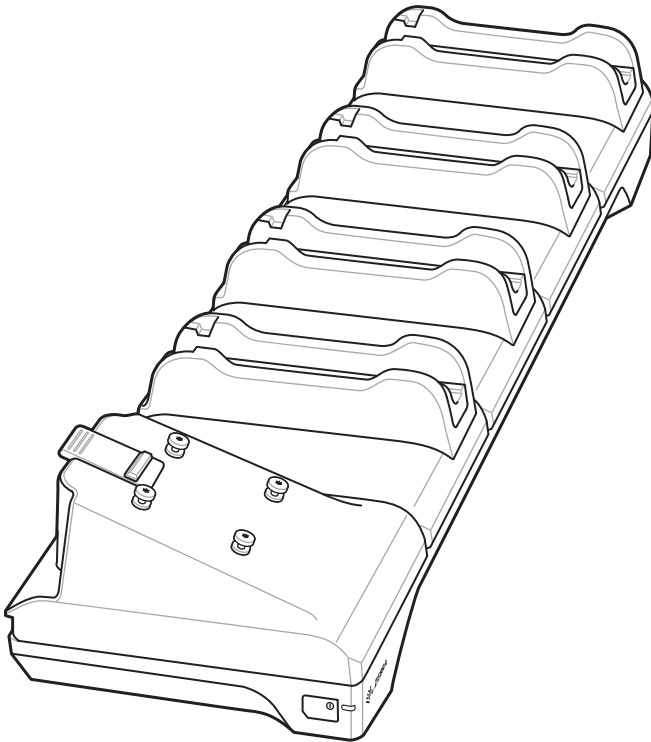


Figure 2-18 4-Slot Charge Only Cradle

Insert Installation

Install inserts into slots for ET5X tablets without Rugged Frame.

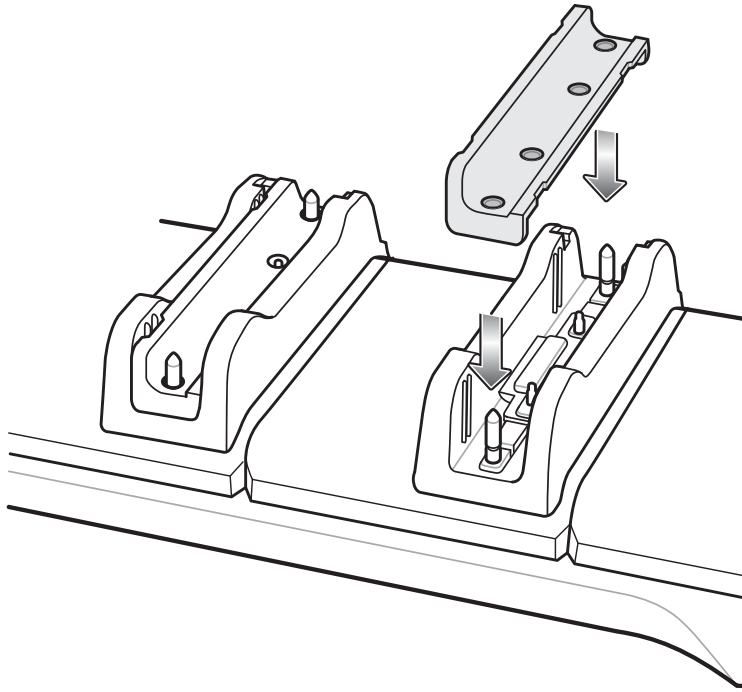


Figure 2-19 *Install Insert in Slot*

Guide Installation

The cradle comes with four 8" tablets guide and four 10" tablet guides. Install the appropriate guides for the tablets.

1. Align the two tabs on the guide with the two slots in the cradle.

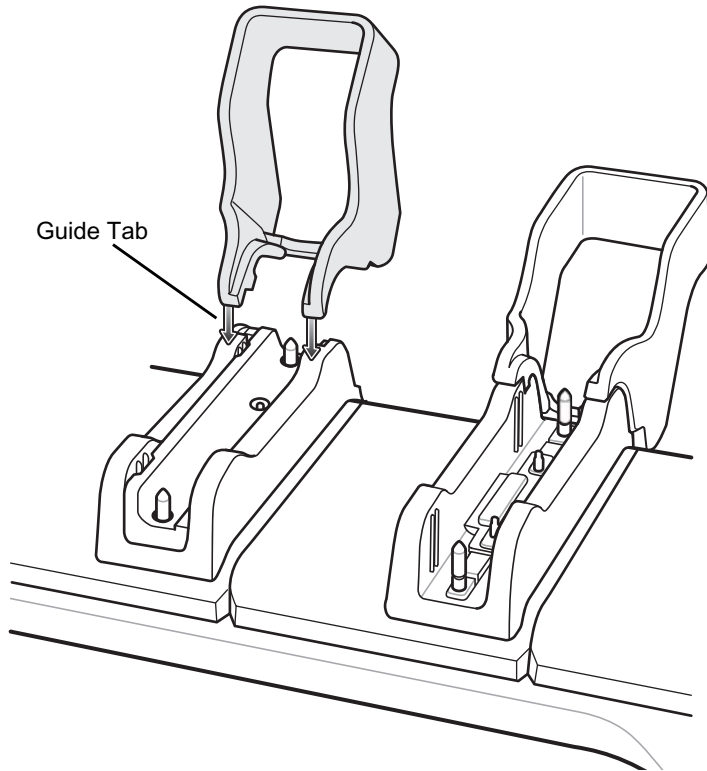


Figure 2-20 *Align Guide with Cradle*

2. Place the guide down onto the cradle and then rotate the guide until it snaps into the cradle.

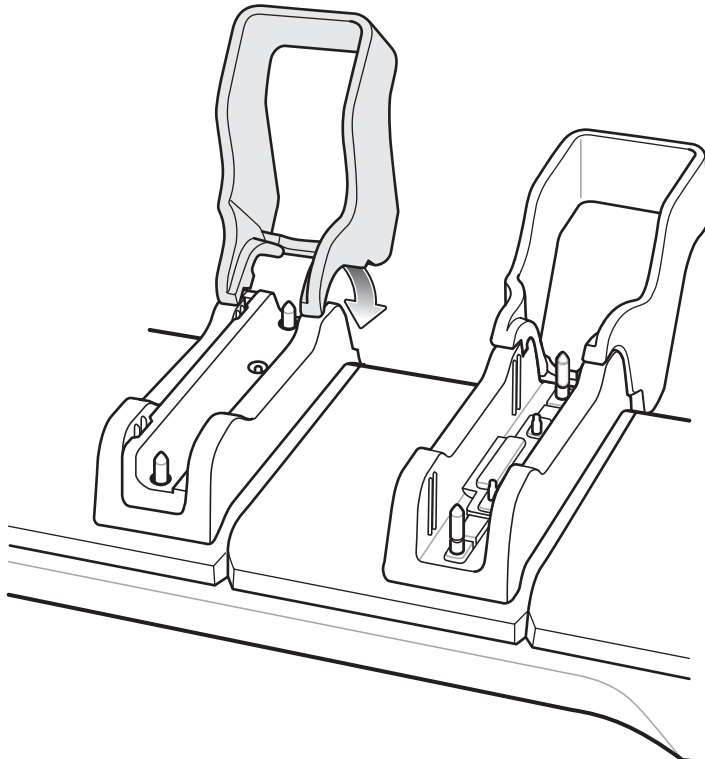


Figure 2-21 *Rotate Guide into Place*

Battery Charger Installation

Install optional 4-Slot Battery Charger onto cradle:

1. Align the mounting holes on the bottom of the charger with the four studs on the cradle.

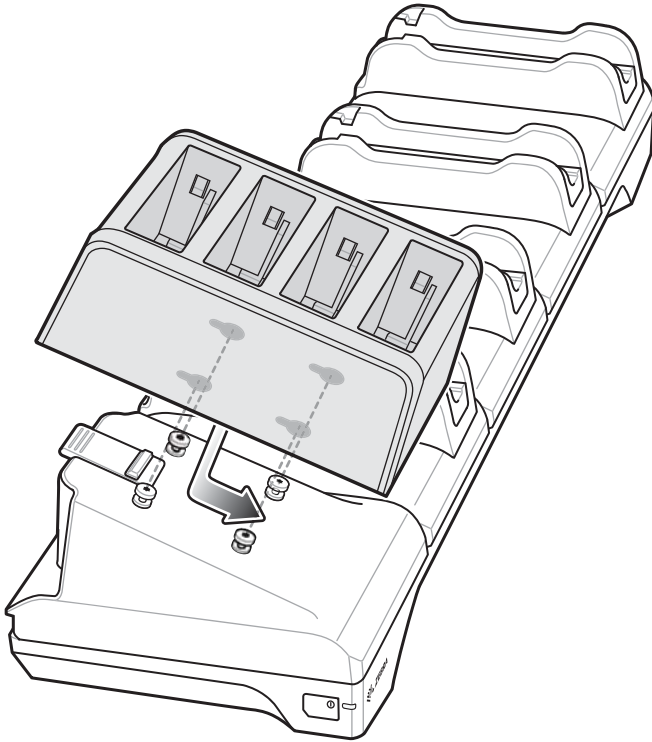


Figure 2-22 *Install 4-Slot Battery Charger*

2. Place the charger on the cradle and then slide toward the front of the cradle.

Power Setup

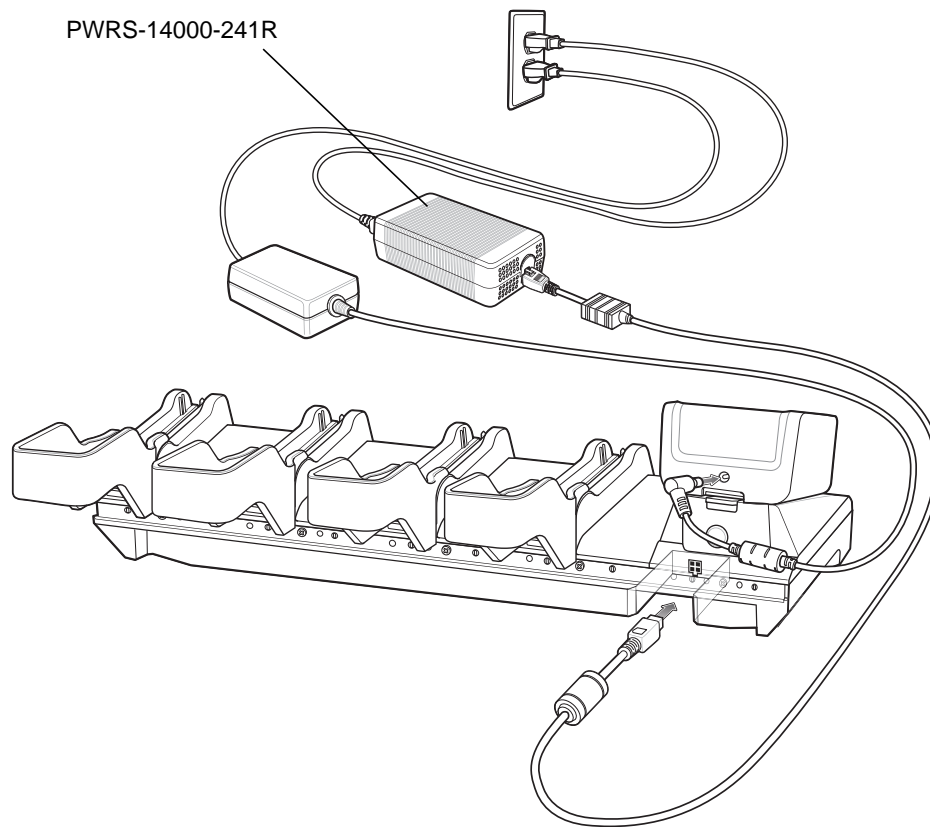


Figure 2-23 Power Setup with Optional Charger

Insert Tablet into Slot

ET5X without Rugged Frame

1. Install insert into slot.
2. Align the two alignment holes on the bottom of the tablet with the two alignment pins in the slot.

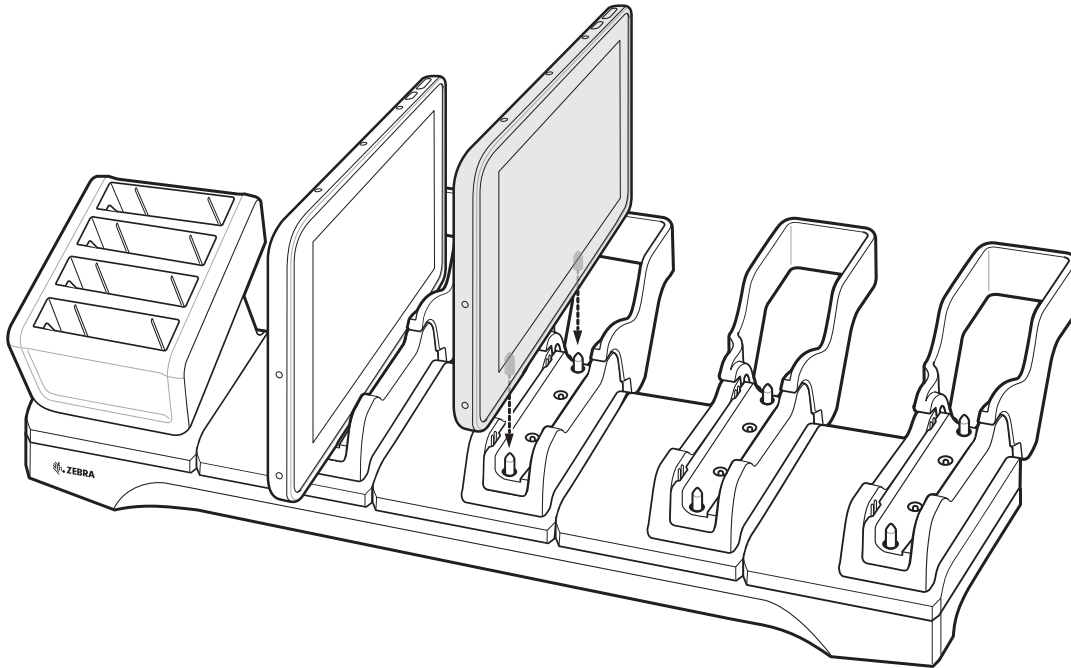


Figure 2-24 *Insert ET5X without Rugged Frame into Slot*

3. Place the ET5X down into the slot with display facing away from Battery Charger.

ET5X with Rugged Frame

1. If applicable, remove insert from slot.
2. Slide ET5X over slot into it touches the guide.

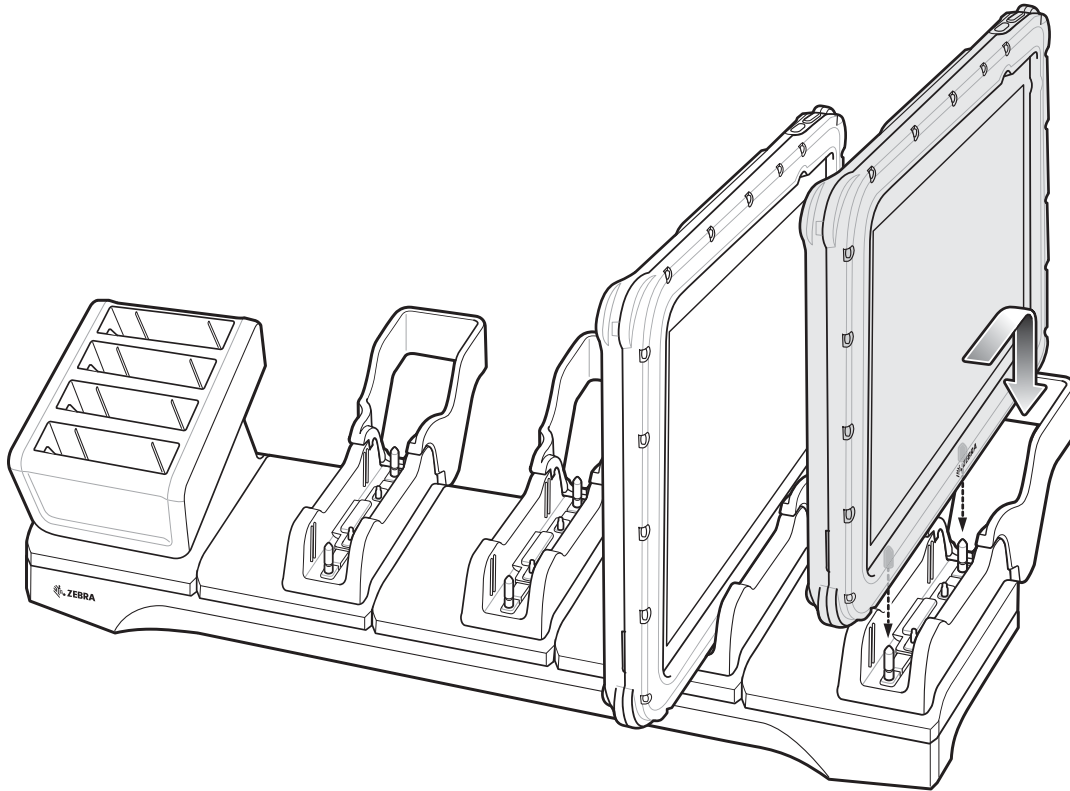


Figure 2-25 *Insert ET5X with Rugged Frame into Slot*

3. Place the ET5X down into the slot with display facing away from Battery Charger.

Charging th Battery

Charge batteries in ambient temperatures from 0°C to 40°C (32°F to 104°F) as reported by the battery. Charging is intelligently controlled by the charger. To accomplish this, for small periods of time, the charger alternately enables and disables battery charging to keep the battery at acceptable temperatures.

The ET5X's amber charge LED shows the status of the battery charging in the ET5X. See [Table 1-1 on page 1-5](#) for charging status indications.

The 8" tablet main battery charges from fully depleted to 90% in approximately 2.5 hours and from fully depleted to 100% in approximately 3.5 hours.

The 10" tablet main battery charges from fully depleted to 90% in approximately three hours and from fully depleted to 100% in approximately four hours.

4-Slot Battery Charger



CAUTION Ensure that you follow the guidelines for battery safety described in Battery Safety Guidelines on page 4-1.

The 4-Slot Battery Charger:

- Provides 12 VDC power for charging the Power Packs.
- Simultaneously charges up to four Power Packs.

To charge a Power Pack:

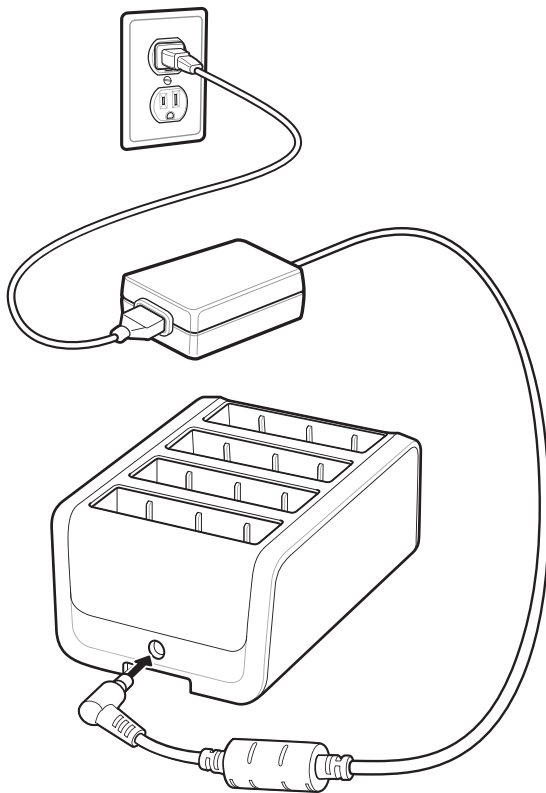


Figure 2-26 4-Slot Battery Charger

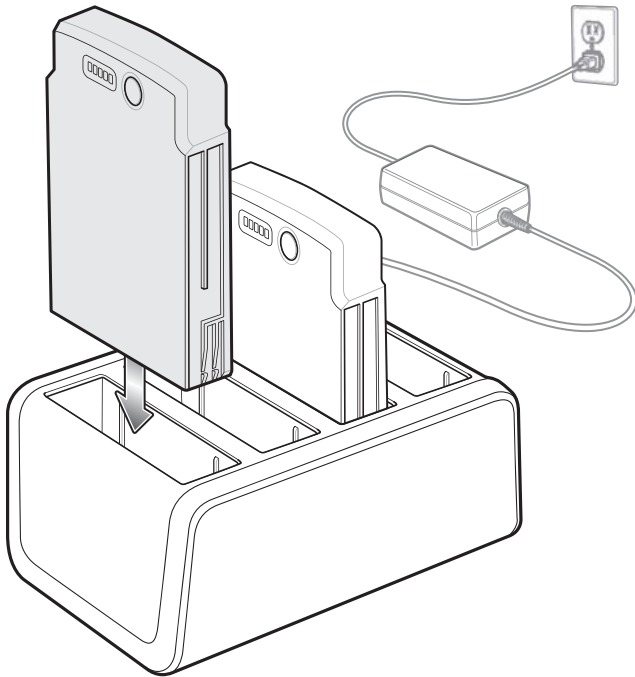


Figure 2-27 *Insert Power Pack*

When charging, the Power Pack Charge Level Indicators indicate the charge level.

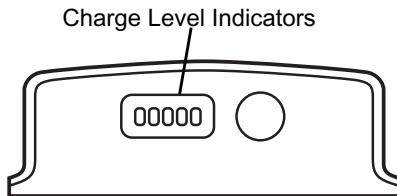










Figure 2-28 *Power Pack Charge LEDs*

Table 3 Power Pack Charge Status Indicators

Power Pack Indicators	Description
	Power not applied to Power Pack.
	Charge level is between 0% and 20%.
	Charge level is between 20% and 40%.
	Solid Green LED
	Blinking Green LED
	Blinking Red LED

Table 3 Power Pack Charge Status Indicators (Continued)

Power Pack Indicators	Description
	Charge level is between 40% and 60%.
	Charge level is between 60% and 80%.
	Charge level is between 80% and 100%.
	Fully charged.
	Charging error.
	Solid Green LED
	Blinking Green LED
	Blinking Red LED

Charge batteries in ambient temperatures from 0°C to 40°C (32°F to 104°F) as reported by the battery. Charging is intelligently controlled by the charger. To accomplish this, for small periods of time, the charger alternately enables and disables battery charging to keep the battery at acceptable temperatures.

Rugged Frame

The Rugged Frame (8 inch and 10 inch) adds additional protection to the ET5X. Use the Rugged I/O Adapter when docking the ET5X into the Rugged Communications and Charging Cradle.

1. Open the access cover.

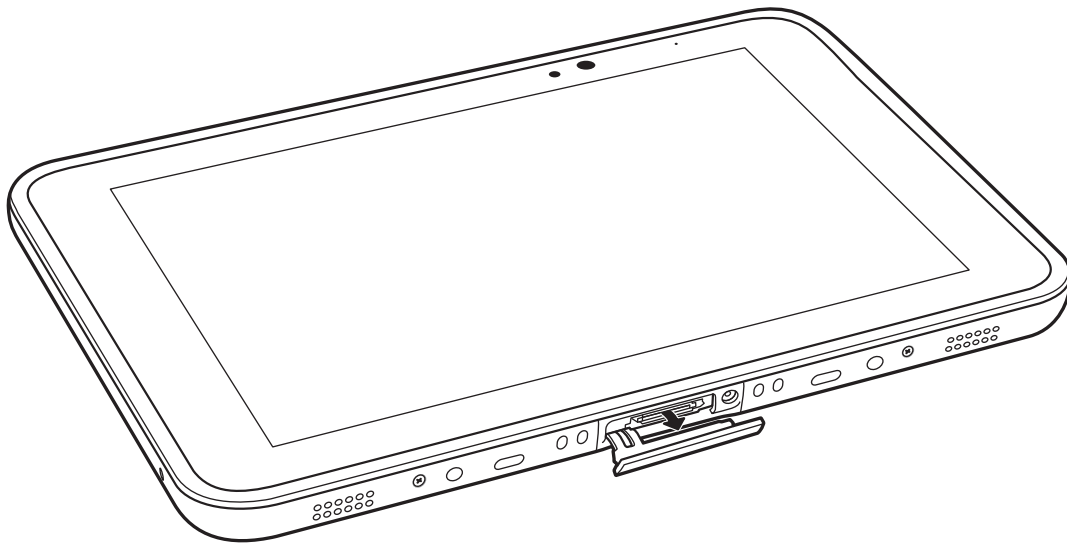


Figure 2-29 *Open Access Door*

2. If installing the Rugged IO Adapter, pull the access cover away from the ET5X until it separates from the ET5X.

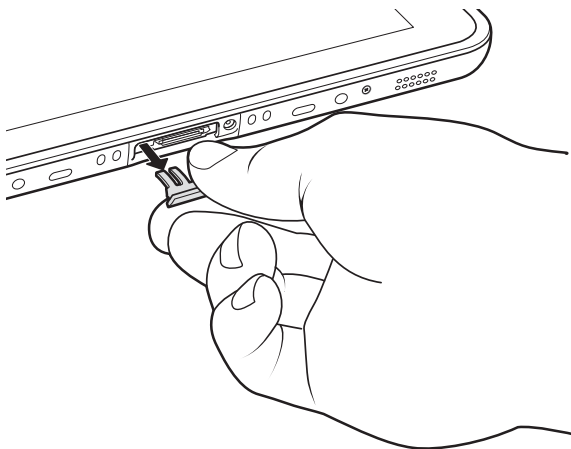


Figure 2-30 *Remove Access Door*

3. Insert the Rugged IO Adapter onto the tablet.

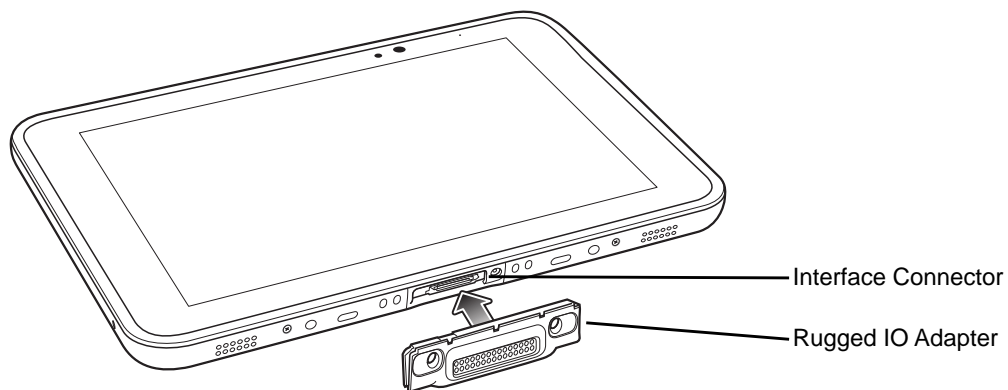


Figure 2-31 *Insert Rugged IO Adapter*

4. Remove the Rugged Frame and screws from box.
5. Separate the top and bottom sections of the Rugged Frame.
6. Place the bottom section on a flat surface.

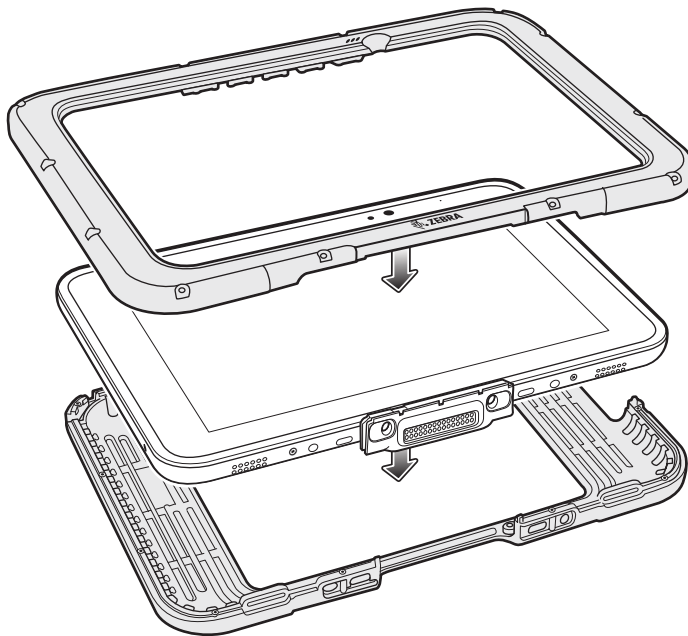


Figure 2-32 *Protective Boot Assembly*

7. Place the ET5X into the bottom section.
8. Align the top section over the bottom section.
9. Press the top section down onto the bottom section.
10. Using a T6 Torx screwdriver, secure the Rugged Frame together using the provided M1.6 Torx screws.

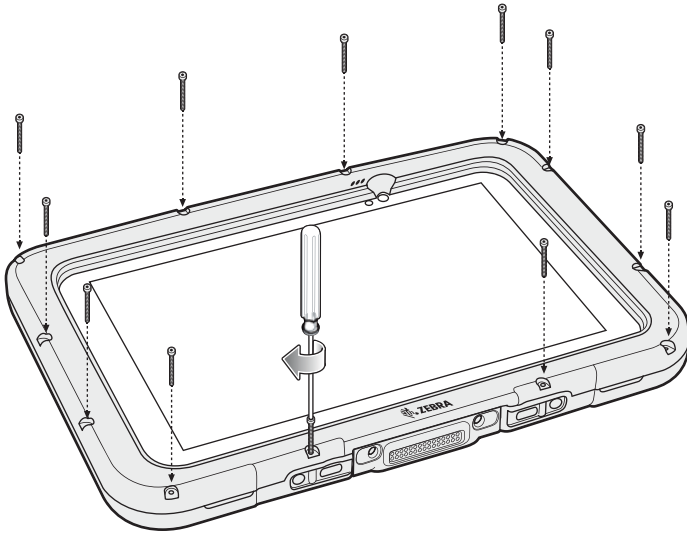


Figure 2-33 *Secure 8" Rugged Frame*

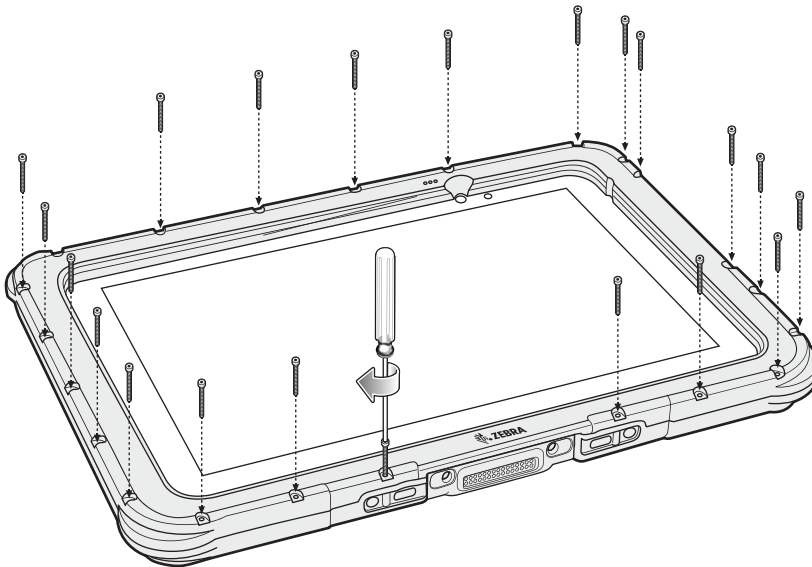


Figure 2-34 *Secure 10" Rugged Frame*

11. Torque the screws to 12 N-cm.

Expansion Back

The Expansion Backs provide data capture and or Power Pack slot for the ET5X.

Installation

To install an Expansion back:

1. Power off the ET5X.
2. Remove battery cover and store in safe place.

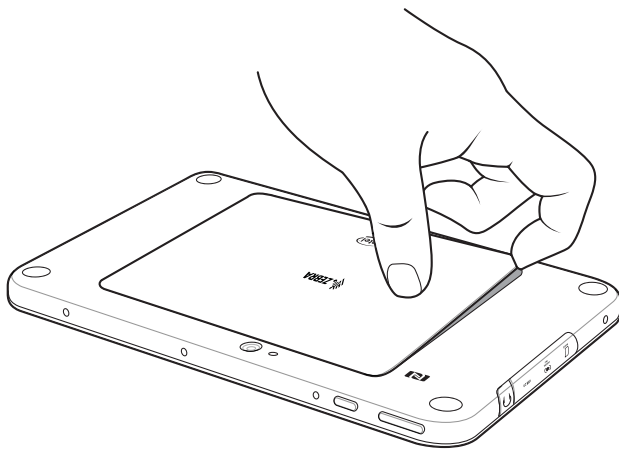


Figure 2-35 *Remove Battery Cover*

3. On 8" version only, remove rubber gasket.

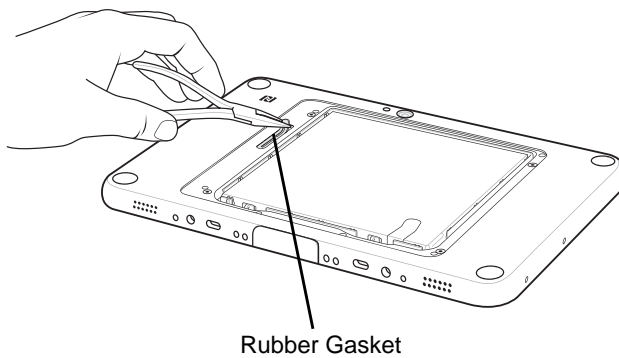


Figure 2-36 *Remove Rubber Gasket*

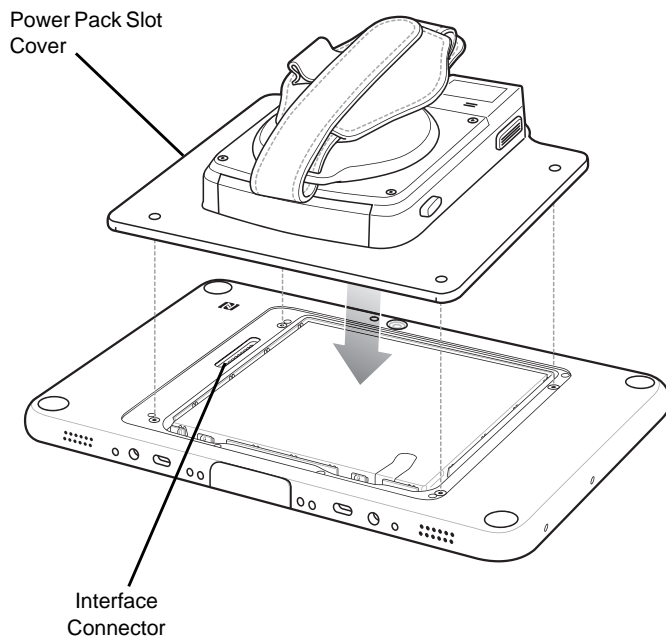


Figure 2-37 *Align Expansion Back with 8" Configuration*

4. Align expansion back with device. Ensure that the power pack slot cover is aligned with the bottom of the device and the interface connector on expansion back aligns with interface connector on device.

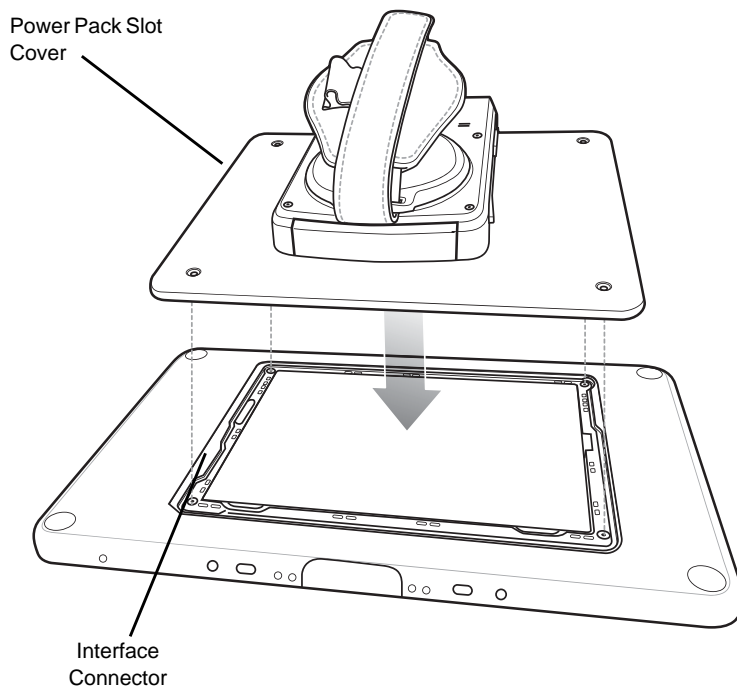


Figure 2-38 *Align Expansion Back with 8" Configuration*

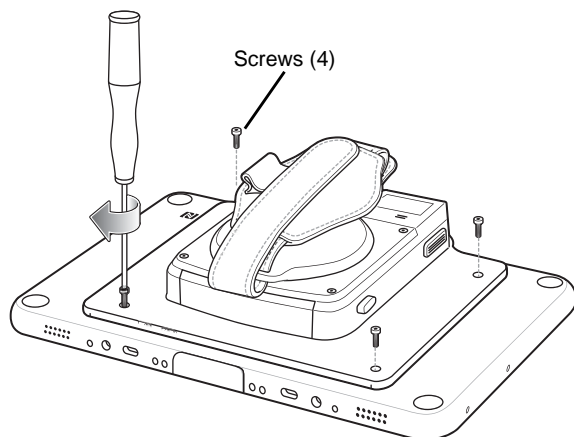


Figure 2-39 *Secure Screws*

- Using a T6 Torx screwdriver, secure expansion back to device using four screws. Torque to 14 n-cm.

Programming the SE4710/SE4750 Expansion Backs

✓ **NOTE** The Expansion Backs use decoder PL3307.

Program the imager in the Expansion Backs using the Zebra 123Scan² application. Download the Zebra 123Scan² application from the Support Central web site.

HID Keyboard Emulation Bar Code

By default, the Expansion Back imager is set to HID mode. If the scanner is not working scan the bar code below to place the scanner in HID mode.

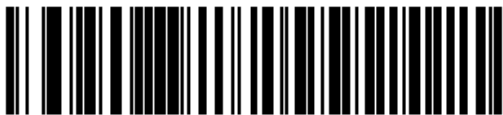


Figure 2-40 *HID Keyboard Emulation Bar Code*

Replacement Hand Strap

To replace the hand strap:

- If the Power Pack is installed, remove the Power Pack.
- Rotate the disk so that the strap end without the eyelet is aligned with the Power Pack opening.
- Open both ends of the hand strap.

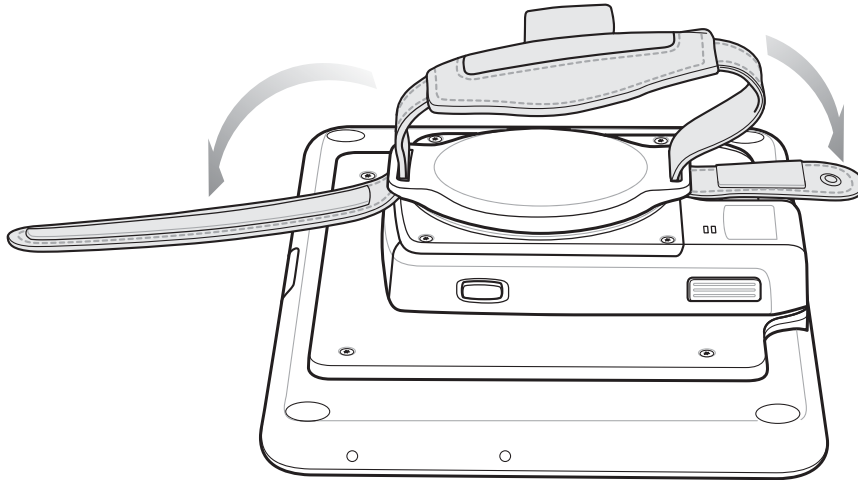


Figure 2-41 *Open Straps*

4. Pull the strap end without the eyelet through the slot on the Expansion Back.

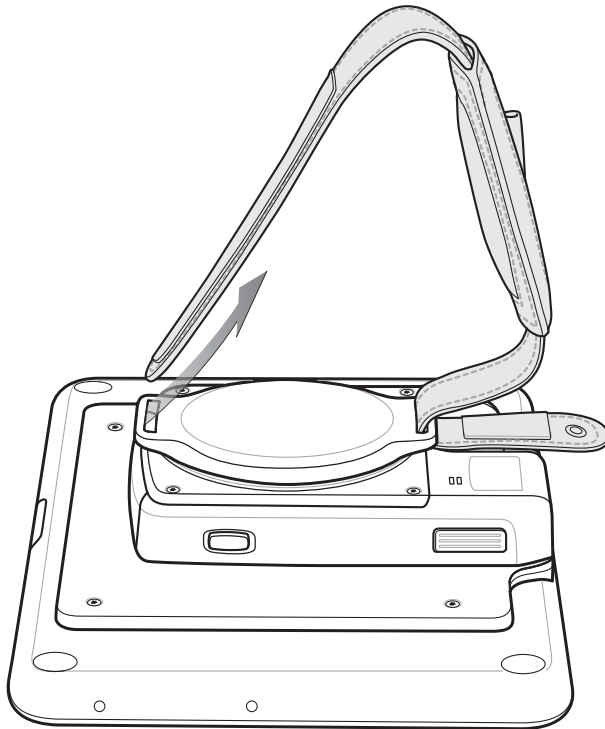


Figure 2-42 *Remove Strap*

5. Rotate the disk 180°.
6. Slide the pad off the hand strap.
7. Pull the eyelet end through the slot on the Expansion Back.

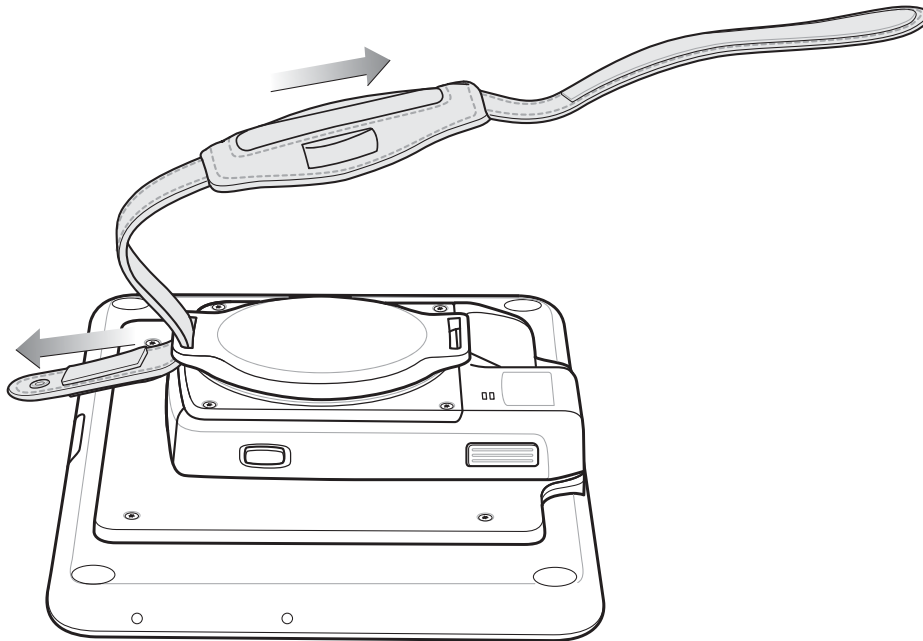


Figure 2-43 *Pull Eyelet End*

8. Remove pad from new replacement hand strap.
9. Rotate the disk so that one of the slots is aligned with the Power Pack opening.
10. Feed the new hand strap through the slot at the Power Pack opening.

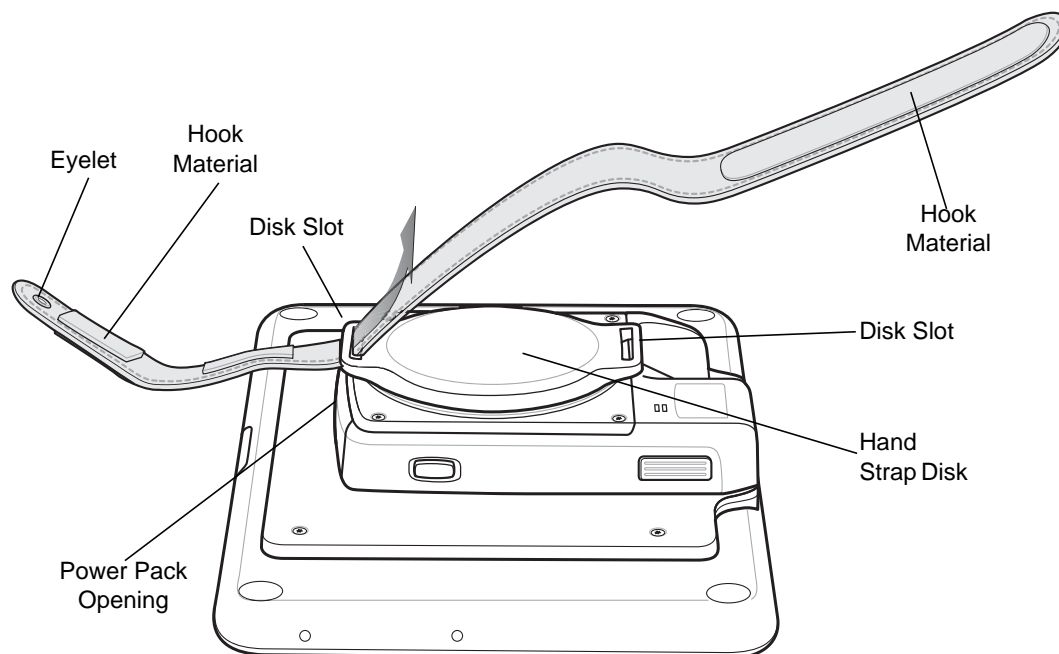


Figure 2-44 *Feed New Strap*

11. Slide pad onto hand strap with the stylus holder facing up.

12. Fold the eyelet end of the strap up and press hook and loop material together.

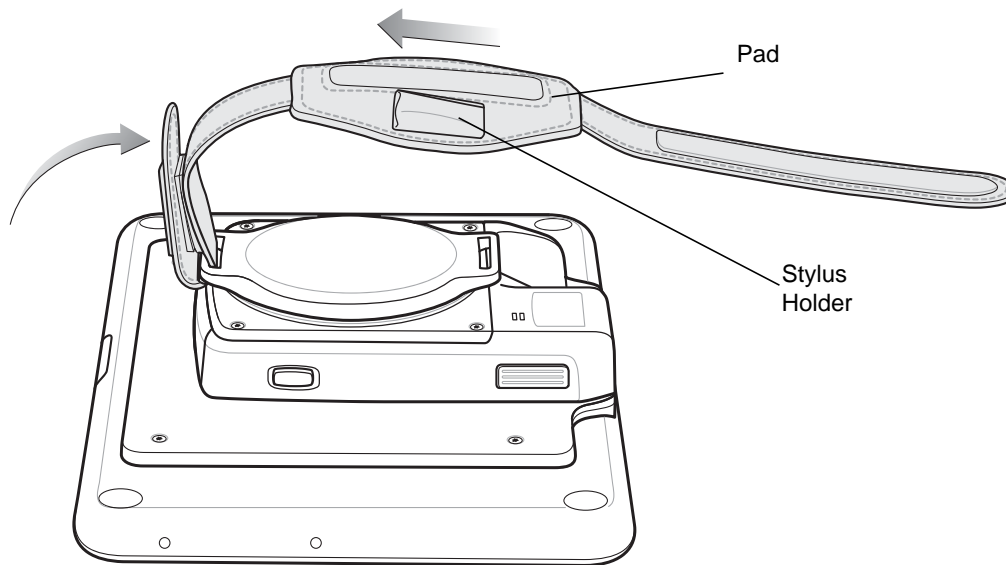


Figure 2-45 *Secure Eyelet End*

13. Rotate disk 180° so that the empty slot is aligned with the Power Pack opening.
14. Feed strap through the slot.

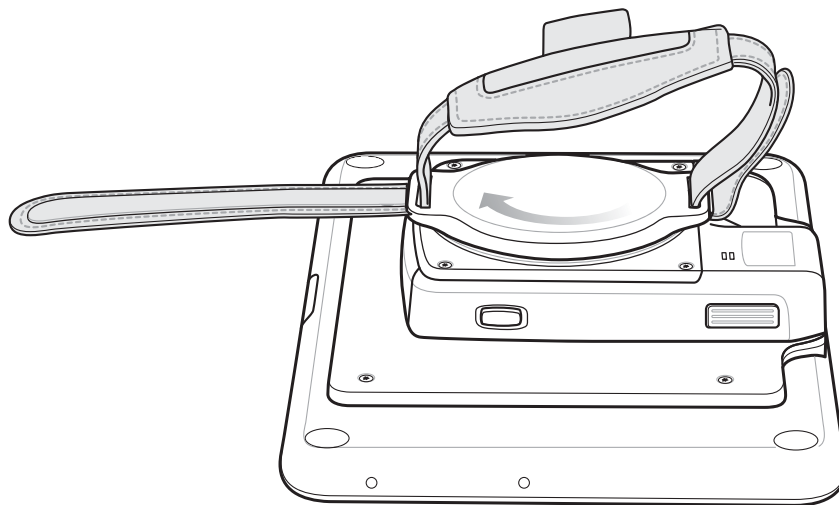


Figure 2-46 *Feed Strap*

15. Fold the end of the strap up and press hook and loop material together.

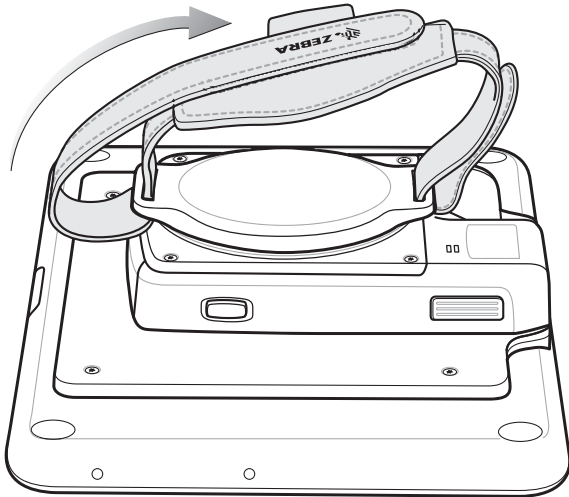


Figure 2-47 *Secure Strap*

Attaching the Stylus to the Expansion Back

The Expansion Backs provide a holder for the stylus. To install the stylus onto the Expansion Back with the option tether:

1. Insert one loop of the tether into the hole in the stylus end cap.

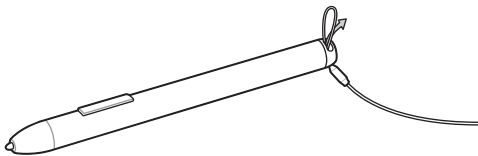


Figure 2-48 *Insert Loop*

2. Feed the other end of the tether through the loop.

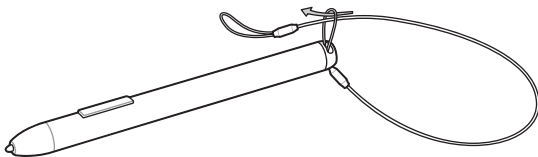


Figure 2-49 *Feed Tether Through Loop*

3. Pull the tether all the way through the loop.
4. Insert the loop of the tether through the eyelet on the hand strap of the Expansion Back.
5. Feed the stylus through the loop.

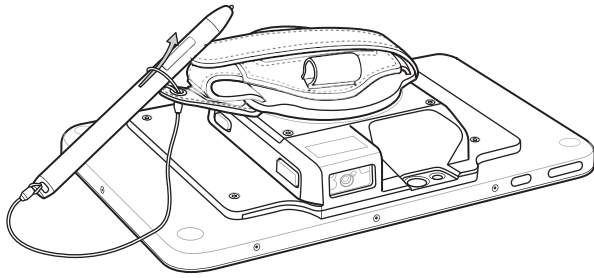
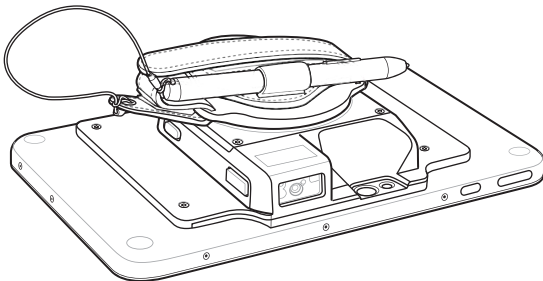


Figure 2-50 *Feed Stylus through Loop*


6. Pull the stylus all the way through the loop.
7. Slide the stylus into the holder for storing the stylus.



Insert Stylus into Holder

Removal

To remove an Expansion Back:

 **CAUTION** Remove power before removing the Expansion Back.

1. Power off the ET5X.
2. Using a T6 Torx screwdriver, remove four screws securing expansion back to device.

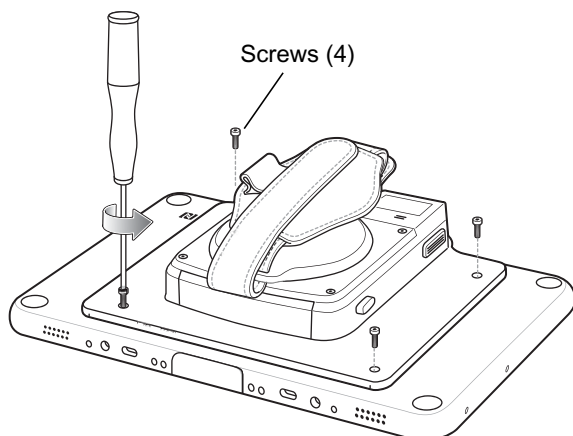


Figure 2-51 *Remove Screws*

3. Lift Expansion Back off device.

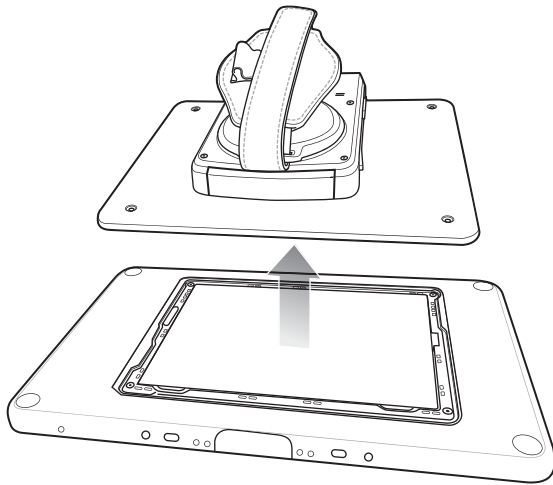


Figure 2-52 *Lift Expansion Back*

4. On 8" version only, replace rubber gasket removed during installation.

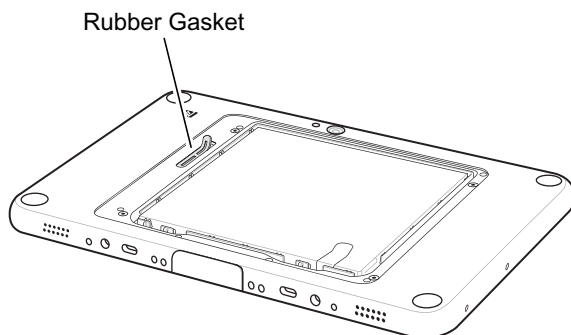


Figure 2-53 *Rubber Gasket Replacement*

5. Replace battery cover.

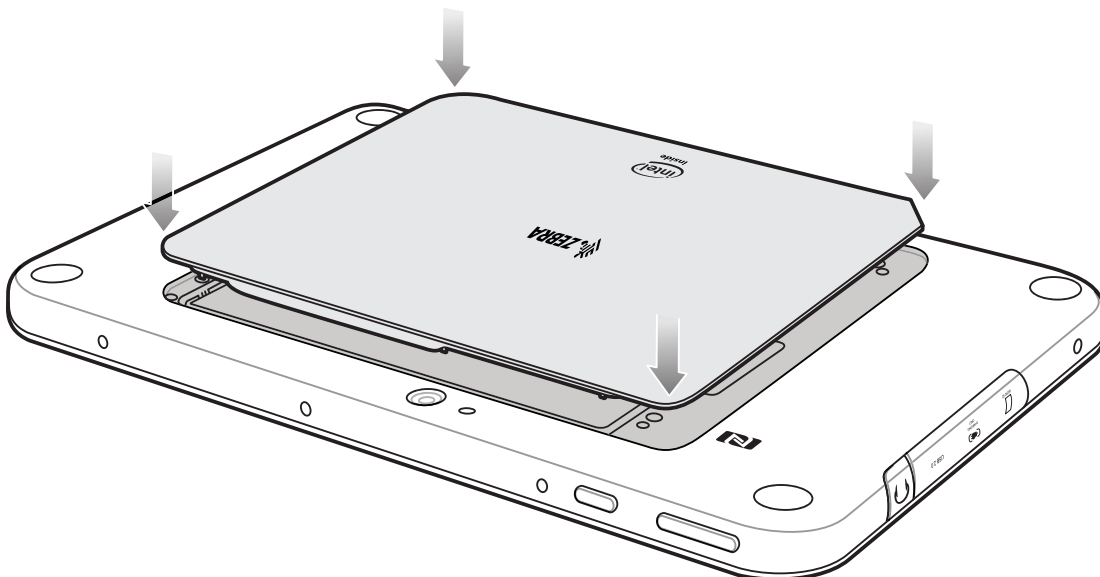


Figure 2-54 *Align Battery Cover*

6. Carefully press down around the edge of the cover. Make sure that the cover is seated properly.

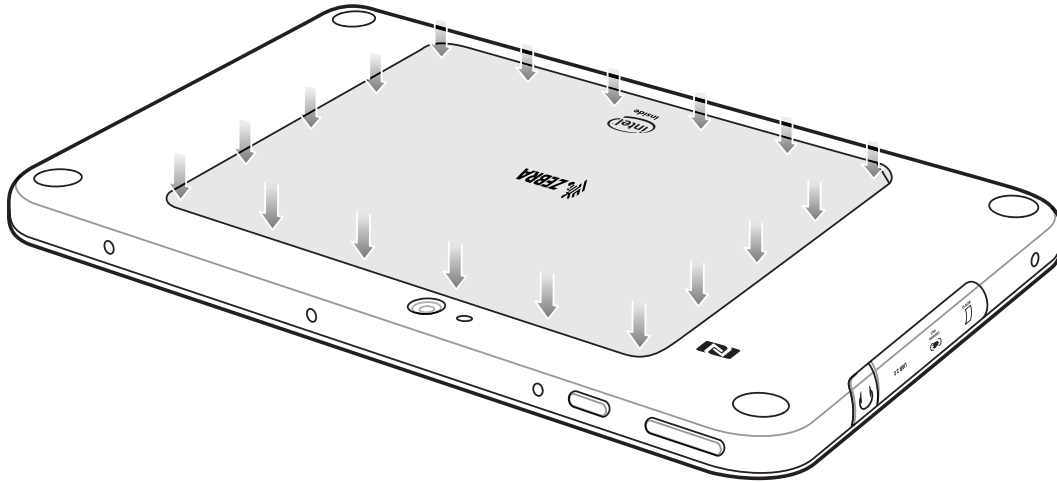


Figure 2-55 *Press Down on Battery Cover*

7. Press the Power button to turn on the ET5X.

CHAPTER 3 SOFTWARE

Introduction

This chapter provides instructions on how to reset and update the tablet, and to install applications.

Factory Reset

Restores Windows to original factory settings without deleting any of your personal files, apps installed from Windows Store, or personalization settings.

To restore the ET5X:

1. Touch **Settings** > **Update and security** > **Recovery**.
2. Under **Reset this PC**, touch **Get started**.

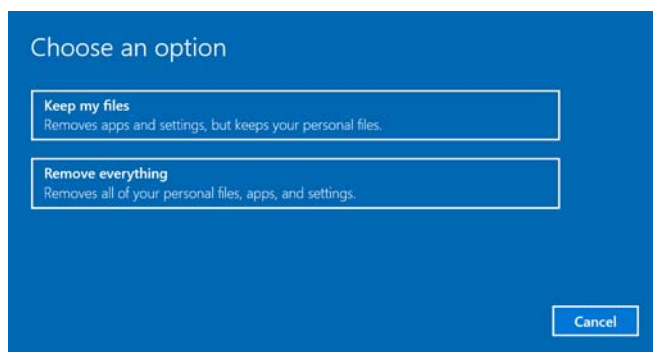


Figure 3-1 *Reset Option Dialog Box*

3. Touch **Keep my files** to remove all apps and settings but keep all personal files or **Remove everything** to remove all personal files, apps and setting.
4. The ET5X resets
5. Read the warning and touch **Next**.



NOTE Apps installed from the Windows Store are automatically reinstalled after the refresh is complete. Apps installed from sources other than the Windows Store are removed and have to be manually installed. A list of apps removed during this process is created on the desktop after the process is complete.

After refreshing the ET5X, apps installed from the Window Store are automatically reinstalled using a mobile broadband or Wi-Fi internet connection. To minimize data consumption over your broadband connection and prevent excessive charges from your carrier, it is highly recommended that you turn off the mobile broadband connection and reinstall the apps using a Wi-Fi connection. For more information on turning off the mobile broadband connection, see Mobile broadband Setting.

System Updates

System Update packages can contain either partial or complete updates for the operating system. Zebra distributes the System Update packages on the Zebra Support & Downloads web site.

1. Download the system update package:
 - a. Go to the Zebra Support & Downloads web site, <http://www.zebra.com/support>.
 - b. Download the appropriate System Update package to a host computer.
2. Extract the zip file to a folder on the host computer.

Creating Installation USB Thumb Drive

Follow these steps to create bootable installation USB thumb drive.



CAUTION Only FAT32 format is recognized by the ET5X BIOS.



NOTE Use 8GB or larger USB thumb drive.

1. Insert the USB thumb drive to host computer.
2. From **Windows Explorer** right click on the USB thumb drive and select **Format**.

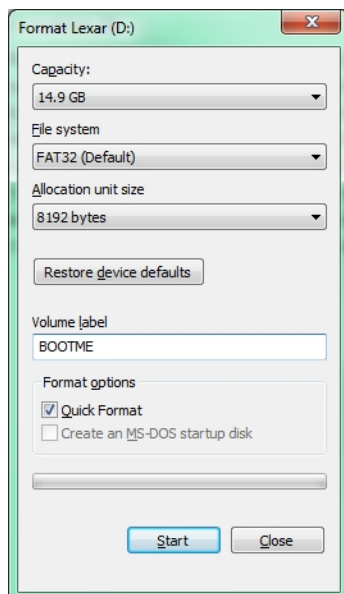


Figure 3-2 *Format Dialog Box*

3. In the **File system** drop down, select **FAT32**.
4. In the **Volume label** text box, enter **BOOTME**.
5. Click **Start**.

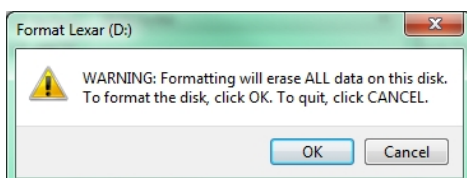


Figure 3-3 *Format Confirmation Dialog Box*

6. Click **OK**.

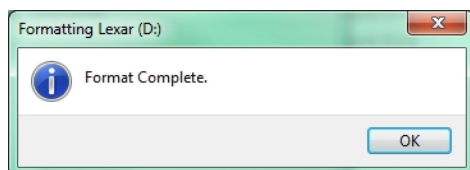


Figure 3-4 *Format Complete Dialog Box*

7. Click **OK**.
8. Using **Windows Explorer**, copy the contents from the System Update package onto the thumb drive.

3 - 4 ET5X Integrator Guide for Windows 10

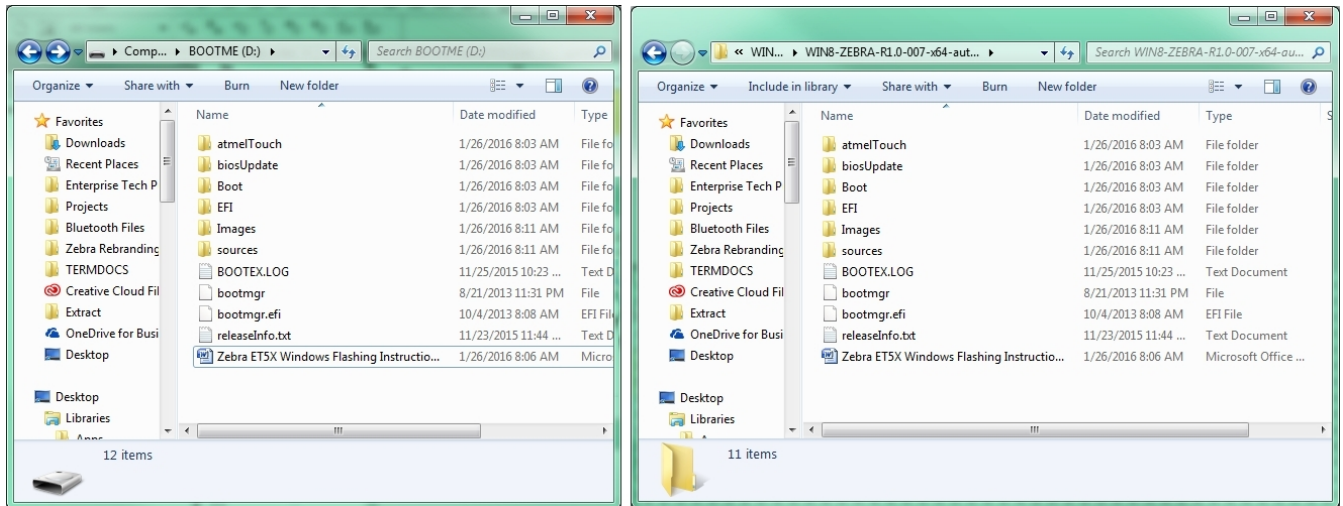


Figure 3-5 Copy Boot Files to Thumb Drive

9. Ensure that all the files copied successfully.



CAUTION Carefully follow the host computer's instructions to unmount the thumb drive and disconnect the drive correctly to avoid losing information.

10. On the host computer, unmount the thumb drive.

Setup Using Communication Dock

The following is required:

- ET5X tablet
- USB keyboard
- Communication Dock with power supply.
- Bootable installation USB thumb drive.

1. Connect power to the Communication Dock.
2. Insert the ET5X into the Communication Dock.
3. Plug the USB keyboard connector into a USB port on the back of the dock.



CAUTION Do not plug the USB thumb drive into the USB port on the back of the cradle.

4. Plug the bootable USB thumb drive into the USB port on the side of the ET5X.

Setup Using a USB Hub

The following is required:

- ET5X tablet
- USB keyboard

- USB Hub with external power supply
 - USB cable
 - USB charger
 - Bootable installation USB thumb drive.
1. Connect power to the ET5X.
 2. Connect power supply to USB hub.
 3. Connect the USB keyboard connector into a USB hub.
 4. On the ET5X, open the access door on the right side of the device.
 5. Connect USB cable from the USB port to the USB hub.
 6. Plug the bootable USB thumb drive into the USB hub.

Updating the Operating System

To update the software:



CAUTION All data on the ET5X will be deleted.

1. Re-boot the ET5X.
2. When the ET5X reboots, press the ESC key when the logo displays. The Boot screen appears.
3. On the keyboard, press the right arrow key until **Boot Manager** highlights.
4. Press **ENTER**. The following displays:
 - **Windows Boot Manager**
 - **EFI USB Device** (USB thumb drive type)
 - **Internal EFI Shell**



NOTE If Boot Manager does not display EFI USB Device (USB thumb drive type), confirm that the USB is formatted as FAT32 and that `bootmgr.efi` file is visible on the USB. Re-seat the USB in the USB port and try again. If the problem persists see [Creating Installation USB Thumb Drive on page 3-2](#).

5. On the keyboard, press the down arrow key until **EFI USB Device** highlights.
6. Press **ENTER**. The ET5X boots to WinPE and installs operating system and BIOS updates. Installation takes approximately nine minutes.
When complete, the device boots and the Windows setup screen appears.
7. Follow the on-screen setup instructions.
8. At the **Choose how you'll connect** screen:
 - Select **Join Azure Active Directory** if your organization uses Office 365 or other business services from Microsoft.
 - Select **Join a local Active Directory domain** to setup a local account and then join the domain in Settings.

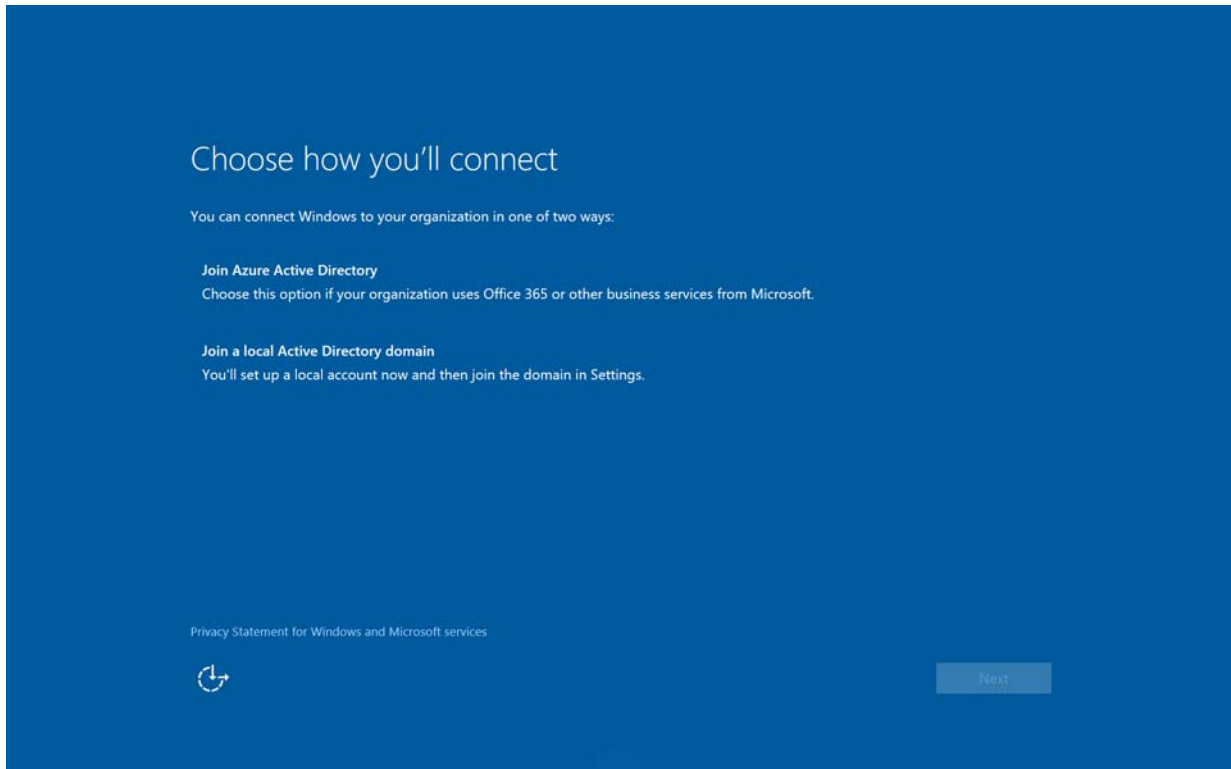


Figure 3-6 *Choose How You'll Connect Screen*

9. Touch **Next**.

10. Enter account information and then touch **Next**. The **Meet Cortana** screen appears.

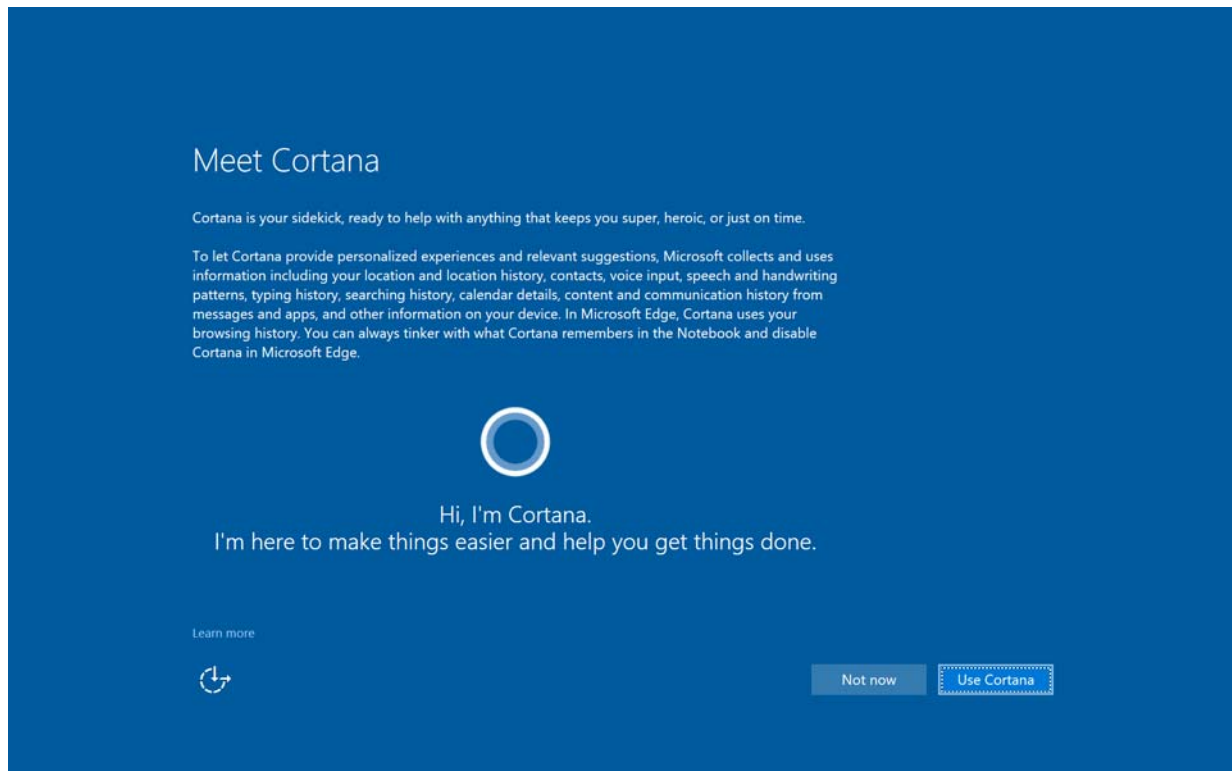


Figure 3-7 *Meet Cortana Screen*

11. Touch **Use Cortana** to enable Cortana or **Not Now** to disable Cortana. Cortana can be enabled later.
12. The Windows Home screen appears.



Figure 3-8 Windows Home Screen (Internet Connection)

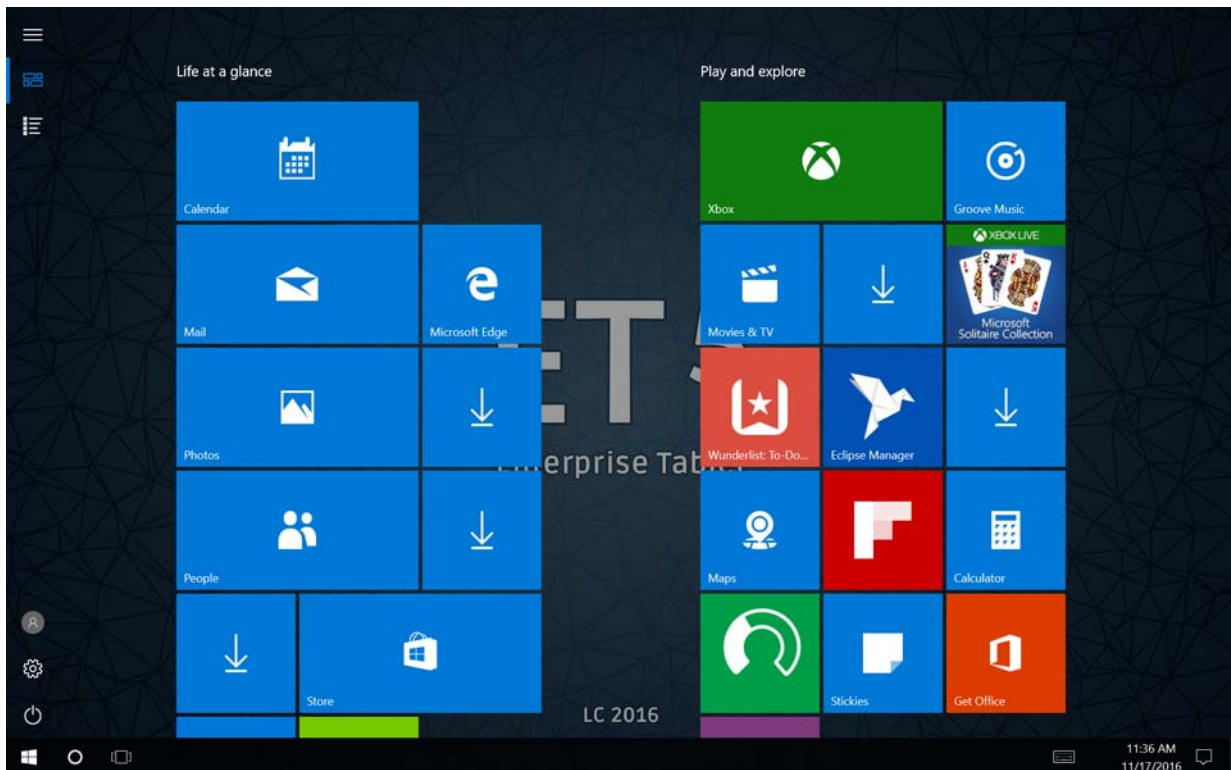


Figure 3-9 Windows Home Screen (No Internet Connection)

13. In the Taskbar, touch .
14. Touch .
15. Touch **Eject (drive name)**.
16. After the message **Safe To Remove Hardware** message appears, remove the thumb drive from the tablet.

Checking Versions

Use the following to check the versions for:

- ULPVC
- BIOS
- Operating system.

Check ULPVC Version

To check the current ULPVC version:

1. Setup tablet with USB hub or cradle. See [Setup Using Communication Dock on page 3-4](#) or [Setup Using a USB Hub on page 3-4](#).
2. Reboot the ET5X.
3. When the logo appears, press ESC key on keyboard.
4. Use the keyboard arrow keys to select **SCU**.
5. Press Enter key. The BIOS screen appears.

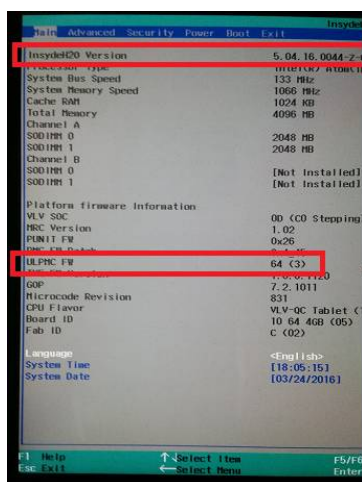


Figure 3-10 BIOS Screen

6. Check **ULPVC FW** field. Displays the version number:
e.g. ULPVC FW 64 (9) = ULPVC_64_09.
7. Press ESC key to exit the BIOS screen.

8. Use the arrow keys to select **Continue**.
9. Press Enter to reboot the tablet.

Check BIOS Version

To check the current version of the BIOS:

1. On the Start screen, touch (all apps).
2. Scroll down to **Windows System** folder.
3. Touch the folder to expand it.
4. Touch **Command Prompt**.
5. In the Command window, type `msinfo32`.
6. Press Enter key. The **System Information** window appears.

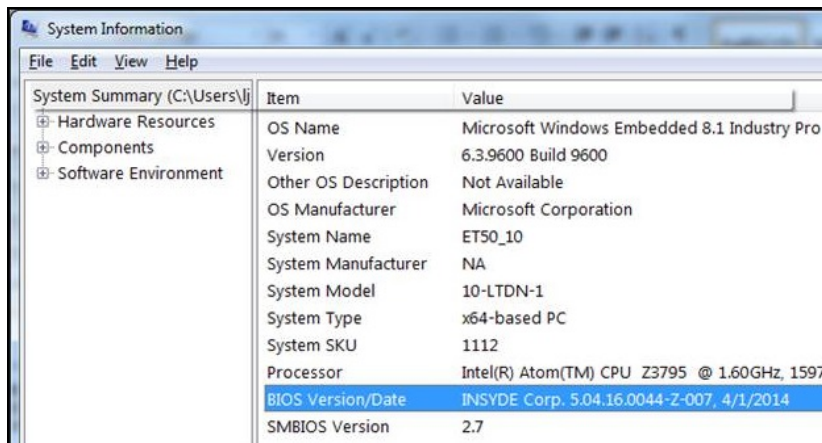


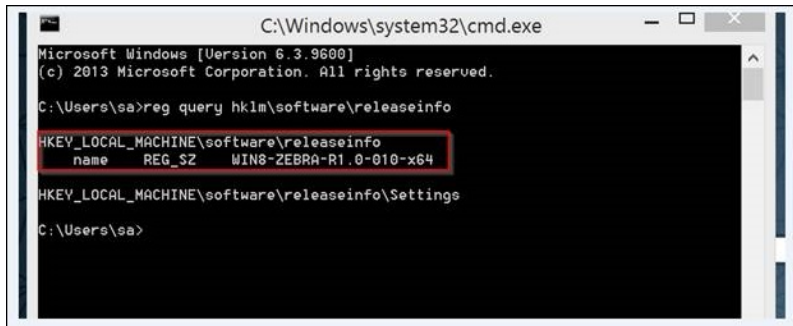
Figure 3-11 *System Information Window*

The BIOS version appears in the **BOIS Version/Date** field.

Check Operating System Version

To check the current operating system version:

1. Scroll down to **Windows System** folder.
2. Touch the folder to expand it.
3. Touch **Command Prompt**.
4. In the **Command Prompt** window, type: `reg query HKLM\Software\ReleaseInfo`.



```

C:\Windows\system32\cmd.exe
Microsoft Windows [Version 6.3.9600]
(c) 2013 Microsoft Corporation. All rights reserved.

C:\Users\sa>reg query hklm\software\releaseinfo
HKEY_LOCAL_MACHINE\software\releaseinfo
name REG_SZ WIN8-ZEBRA-R1.0-010-x64
HKEY_LOCAL_MACHINE\software\releaseinfo\Settings
C:\Users\sa>

```

Figure 3-12 Release Information

The release version appears on the screen: **WIN8-ZEBRA-R1.0-012-x64**.

Data Capture Application Development

For scanner resources, go to the Zebra Barcode Scanner Drivers and Utilities web page, <https://www.zebra.com/us/en/products/software/scanning-systems/scanner-drivers-and-utilities.html>.

Application Installation

Install programs from the Internet, or a network.



Install from the Internet

Make sure you trust the publisher of the app and the website that's offering it.

In your web browser, tap or click the link to the app. To install it now, tap or click Open or Run, and then follow the instructions on your screen. To install the app later, tap or click Save or Save as to download it.

Windows Store

There are two ways to get apps from Windows Store.

- On the Start menu, select the Store tile .
- On the task bar, select the Store tile .

CHAPTER 4 MAINTENANCE AND TROUBLESHOOTING

Introduction

This chapter includes instructions on cleaning and storing the ET5X, battery maintenance and provides troubleshooting solutions for potential problems during ET5X operations.

Maintaining the ET5X

For trouble-free service, observe the following tips when using the ET5X:

- Protect the ET5X from temperature extremes.
- Do not store or use the ET5X in any location that is extremely dusty, damp, or wet.
- Use a soft lens cloth to clean the scan exit window of the ET5X. If the surface of the ET5X screen becomes soiled, clean it with a soft cloth moistened with a diluted window-cleaning solution. Do not use bleach or ammonia.
- Take care not to scratch the screen of the ET5X.
- The display of the ET5X contains glass. Take care not to drop the ET5X or subject it to strong impact.

Battery Safety Guidelines

- The area in which the ET5X units are charged should be clear of debris and combustible materials or chemicals. Particular care should be taken where the device is charged in a non-commercial environment.
- Do not use incompatible batteries and chargers. If you have any questions about the compatibility of a battery or a charger, contact Zebra Support. See *Service Information on page xi* for contact information.
- Do not crush, puncture, or place a high degree of pressure on the battery.
- Follow battery usage, storage, and charging guidelines found in the ET5X Quick Reference Guide.
- Improper battery use may result in a fire, explosion, or other hazard.
- To charge the mobile device battery, the battery and charger temperatures must be between +32°F and +104°F (0°C and +40°C)

- Do not disassemble or open, crush, bend or deform, puncture, or shred.
- Severe impact from dropping any battery-operated device on a hard surface could cause the battery to overheat.
- Do not short circuit a battery or allow metallic or conductive objects to contact the battery terminals.
- Do not modify or remanufacture, attempt to insert foreign objects into the battery, immerse or expose to water or other liquids, or expose to fire, explosion, or other hazard.
- Do not leave or store the equipment in or near areas that might get very hot, such as in a parked vehicle or near a radiator or other heat source. Do not place battery into a microwave oven or dryer.
- Battery usage by children should be supervised.
- Please follow local regulations to promptly dispose of used re-chargeable batteries.
- Do not dispose of batteries in fire.
- Seek medical advice immediately if a battery has been swallowed.
- In the event of a battery leak, do not allow the liquid to come in contact with the skin or eyes. If contact has been made, wash the affected area with large amounts of water and seek medical advice.
- If you suspect damage to your equipment or battery, call Customer Support to arrange for inspection. See *Service Information on page xi* for contact information.

Cleaning



CAUTION Always wear eye protection.

Read warning label on compressed air and alcohol product before using.

If you have to use any other solution for medical reasons please contact Zebra for more information.



WARNING! Avoid exposing this product to contact with hot oil or other flammable liquids. If such exposure occurs, unplug the device and clean the product immediately in accordance with these guidelines.

Materials Required

- Alcohol wipes
- Lens tissue
- Cotton tipped applicators
- Isopropyl alcohol
- Can of compressed air with a tube.

Cleaning the ET5X

Housing

Using the alcohol wipes, wipe the housing.

Display

The display can be wiped down with the alcohol wipes, but care should be taken not to allow any pooling of liquid around the edges of the display. Immediately dried the display with a soft, non-abrasive cloth to prevent streaking.

Power Connector

1. Remove the main battery from ET5X.
2. Dip the cotton portion of the cotton tipped applicator in isopropyl alcohol.
3. Repeat at least three times.
4. Use the cotton tipped applicator dipped in alcohol to remove any grease and dirt near the connector area.
5. Use a dry cotton tipped applicator and repeat steps 3 through 6.
6. Spray compressed air on the connector area by pointing the tube/nozzle about ½ inch away from the surface.



CAUTION Do not point nozzle at yourself and others, ensure the nozzle or tube is away from your face.

7. Inspect the area for any grease or dirt, repeat if required.

Cleaning Cradle Connectors

Use this procedure to clean the connectors on a cradle:

1. Remove power from the cradle.
2. Dip the cotton portion of the cotton tipped applicator in isopropyl alcohol.
3. Rub the cotton portion of the cotton tipped applicator along the pins of the connector. Slowly move the applicator back-and-forth from one side of the connector to the other. Do not let any cotton residue on the connector.
4. All sides of the connector should also be rubbed with the cotton tipped applicator.
5. Spray compressed air in the connector area by pointing the tube/nozzle about ½ inch away from the surface.



CAUTION Do not point nozzle at yourself and others, ensure the nozzle or tube is pointed away from your face.

6. Ensure that there is no lint left by the cotton tipped applicator, remove lint if found.
7. If grease and other dirt can be found on other areas of the cradle, use lint free cloth and alcohol to remove.
8. Allow at least 10 to 30 minutes (depending on ambient temperature and humidity) for the alcohol to air dry before applying power to cradle.

If the temperature is low and humidity is high, longer drying time is required. Warm temperature and dry humidity requires less drying time.

Cleaning Expansion Back Connectors

Use this procedure to clean the connectors on an Expansion Back:

1. Remove the Expansion Back from the ET5X.

2. Dip the cotton portion of the cotton tipped applicator in isopropyl alcohol.
3. Rub the cotton portion of the cotton tipped applicator along the pins of the connector. Slowly move the applicator back-and-forth from one side of the connector to the other. Do not let any cotton residue on the connector.
4. Spray compressed air in the connector area by pointing the tube/nozzle about ½ inch away from the surface.



CAUTION Do not point nozzle at yourself and others, ensure the nozzle or tube is pointed away from your face.

5. Ensure that there is no lint left by the cotton tipped applicator, remove lint if found.
6. If grease and other dirt can be found on other areas of the Expansion Back, use lint free cloth and alcohol to remove.
7. Allow at least 10 to 30 minutes (depending on ambient temperature and humidity) for the alcohol to air dry before installing the Expansion Back.

If the temperature is low and humidity is high, longer drying time is required. Warm temperature and dry humidity requires less drying time.

Cleaning Frequency

The cleaning frequency is up to the customer's discretion due to the varied environments in which the ET5X units are used. They may be cleaned as frequently as required. However when used in dirty environments it may be advisable to periodically clean the scanner exit window to ensure optimum scanning performance.

Troubleshooting

ET5X

Table 4-1 Troubleshooting the ET5X

Problem	Cause	Solution
ET5X does not turn on.	Battery not charged.	Charge the battery in the ET5X.
	Battery not installed properly.	Ensure battery is installed properly.
	System crash.	If the ET5X still does not turn on, perform a cold boot. See <i>Performing a Cold Boot on page 1-6</i> .
Battery did not charge.	Battery failed.	Replace battery. If the ET5X still does not operate, try a cold boot. See <i>Performing a Cold Boot on page 1-6</i> .
	ET5X removed from cradle before charging completed.	Insert the ET5X into the cradle and begin charging. The battery fully charges in approximately three hours.
	Ambient temperature of the cradle is too warm or too cold.	The ambient temperature must be between 0 °C and 40 °C (32 °F and 104 °F).
Unable to connect to the wireless network.	SIM card is valid.	Ensure that the micro SIM card is activated and workable if using a mobile network.
	Not within range of network.	Move within the network's service range and the signal strength is good.
	ET55 is in airplane mode.	Ensure that ET55 is not in Airplane mode.
The multi-touch screen responds slowly or improperly.	Finger or screen is wet.	Ensure that your hands are clean and dry when touching the screen. Restart the tablet to try again.
ET5X turns itself off.	ET5X is inactive.	The ET5X turns off after a period of inactivity. If the ET5X is running on battery power.
	Battery is depleted.	Place the ET5X in a cradle to re-charge the battery.
	The ET5X's battery is low and it powers down to protect memory content.	Place the ET5X in a cradle to re-charge the battery.

Charge Only Cradle

Table 4-2 *Troubleshooting the Charge only Cradle*

Symptom	Possible Cause	Solution
ET5X battery is not charging.	ET5X was removed from cradle or cradle was unplugged from AC power.	Ensure cradle is receiving power. Ensure ET5X is seated correctly. Confirm main battery is charging. The battery fully charges in approximately three hours.
	Battery is faulty.	Verify that other batteries charge properly. If so, replace the faulty battery.
	The ET5X is not fully seated in the cradle.	Remove and re-insert the ET5X into the cradle, ensuring it is firmly seated.
	Ambient temperature of the cradle is too warm or too cold.	Move the cradle to an area where the ambient temperature is between 0 °C and 40 °C (32 °F and 104 °F).

Communication and Charging Cradles

Table 4-3 *Troubleshooting the Communication and Charging Cradles*

Symptom	Possible Cause	Solution
ET5X battery is not charging.	ET5X was removed from cradle or cradle was unplugged from AC power.	Ensure cradle is receiving power. Ensure ET5X is seated correctly. Confirm main battery is charging. The battery fully charges in approximately three hours.
	Battery is faulty.	Verify that other batteries charge properly. If so, replace the faulty battery.
	The ET5X is not fully seated in the cradle.	Remove and re-insert the ET5X into the cradle, ensuring it is firmly seated.
	Ambient temperature of the cradle is too warm or too cold.	Move the cradle to an area where the ambient temperature is between 0 °C and 40 °C (32 °F and 104 °F).
During communication, no data transmits, or transmitted data was incomplete.	ET5X removed from cradle during communications.	Replace ET5X in cradle and retransmit.
	Incorrect cable configuration.	Ensure that the correct cable configuration.

Table 4-3 *Troubleshooting the Communication and Charging Cradles (Continued)*

Symptom	Possible Cause	Solution
ET5X does not lock into cradle.	Access cover closed.	Open ET5X access cover and re-insert ET5X onto cradle.
	ET5X with Rugged Frame and IO Adapter does not mate with Communication and Charging Cradle.	Use Rugged Communication and Charging Cradle.

Expansion Backs

Table 4-4 *Troubleshooting the Expansion Backs*

Symptom	Possible Cause	Solution
Aiming laser does not display when pressing trigger.	On 8" tablet, did not remove rubber gasket during installation.	See system administrator to re-install Expansion Back.
	ET5X is in suspend mode.	Press power button to wake the tablet.
	Battery is low.	If the scanner stops emitting a laser beam upon a trigger press, check the battery level. When the battery is low, the scanner shuts off before the ET5X low battery condition notification. Note: If the scanner is still not reading symbols, contact system administrator.
Laser comes on, but scanner does not decode the bar code.	ET5X is not programmed for the bar code.	Ensure the ET5X is programmed to read the type of bar code being scanned.
	Unreadable bar code.	Check the symbol to ensure it is not defaced. Try scanning another bar code of the same type.
	Distance between exit window and bar code is incorrect.	Move the ET5X within proper scanning range.
	Scanning application is not loaded.	Load a scanning application. See the system administrator.

APPENDIX A SPECIFICATIONS

Technical Specifications

The following tables summarize the ET5X's intended operating environment and general technical hardware specifications.

ET5X

The following table summarizes the ET5X's intended operating environment.

Table A-1 *Technical Specifications*

Item	Description
Physical and Environmental Characteristics	
Dimensions	8" Configuration: 228 mm W x 150 mm H x 12.5 mm D (9.0 in. L x 5.9 in. W x 0.5 in. H) 10" Configuration: (269 mm W x 181 mm H x 12.5 mm D) 10.6 in. L x 7.1 in. W x 0.5 in. H
Weight	8" Configuration: 555 g (1.2 lbs) 10" Configuration: 750 g (1.55 lbs)
Display	8" Configuration: 8.3 in (diagonal) 1920 x 1200 WUVGA with backlight 10" Configuration: 10.1 in (diagonal) 1920 x 1200 WUVGA with backlight
Touch panel	Capacitive 10 point multi-touch
Keypad Options	Virtual, Bluetooth or USB

Table A-1 Technical Specifications (Continued)

Item	Description
Expansion	Integrated connector to easily add accessories.
Connectivity	Docking connector: USB 3.0, HDMI, charging; rugged connector for use with rugged dock Interfaces: full-size USB2.0 connector, audio jack 3.5mm, USB (for charging)
Notification	LED flash; bar code decode; camera LED indicator
Audio	Stereo speakers and dual microphones (one front and one rear-facing)
Battery	8" Configuration: 5,900 mAh rechargeable Smart Li-Ion; user replaceable 10" Configuration: 8,700 mAh rechargeable Smart Li-Ion; user replaceable
Performance Characteristics	
CPU	Intel quad core 2.4 GHz 64 bit
Operating System	Windows 10 with Modern Standby
Memory	4GB LPDDR3 RAM; 64 GB eMMC Flash (128 GB optional); User accessible microSDXC card slot (standard supports up to 2 TB)
Data Capture	
Front Camera	2 MP 1080p full HD optimized for video collaboration and low lighting conditions
Rear Camera	Bar code scanning and image capture: 8MP auto-focus camera with user controllable LED flash, illumination and aiming; captures 1D and 2D bar codes, photographs, video, signatures and documents.
Video	1080p (Full HD, 1920 x 1080), Frame rate = 30fps
Scanning	Optional SE4710 8" Expansion Back Optional SE4750 8" Expansion Back Optional SE4710 10" Expansion Back Optional SE4750 10" Expansion Back
User Environment	
Operating Temperature	32 °F to 122 °F (0 °C to 50 °C)
Storage Temperature	-4 °F to 140 °F (-20 °C to 60 °C)
Battery Charging Temperature	32 °F to 104 °F (0 °C to +40 °C)
Humidity	10% to 90% RH (non condensing)

Table A-1 *Technical Specifications (Continued)*

Item	Description
Drop Specification	Standard: 1 m (3.28 ft.) drop to concrete without rugged frame With optional rugged frame: 1.8 m (5.9 ft.) to concrete per MIL STD 810G
Vibration	Operational: random vibration 10-1000 Hz 1.9g RMS, 1 hour duration per axis. Non-operational: random vibration 10-1000Hz, 4.1 g RMS
Environmental Sealing	IP65
ESD	+/-8kVdc air discharge +/-4kVdc direct discharge +/-4kVdc indirect discharge
WWAN Wireless Data Communications	
	Global LTE with HSPA+ North America multi-carrier LTE with both Verizon (EVDO) and AT&T (HSPA+) 3G fallback
WLAN Wireless Data Communications	
WLAN radio	802.11a/b/g/n/k/r. Dual band 2x2 MIMO for transmit and receive.
Output Power	100mW U.S. and International
Data Rate	802.11a: up to 54Mb per second 802.11b: up to 11Mb per second 802.11g: up to 54Mb per second 802.11n: up to 72.2Mb per second
Operating Channels	Chan 1 - 13 (2412 - 2472 MHz), Chan 36 - 165 (5180 - 5825 MHz) Channel Bandwidth: 20, 40 MHz Actual operating channels/frequencies depend on regulatory rules and certification agency.
Frequency Range	All country dependent: 802.11a - 5 GHz; 802.11b – 2.4 GHz; 802.11g – 2.4 GHz; 802.11n – 2.4 GHz / 5 GHz
Antenna	Internal diversity antenna
WLAN Security	WPA2 Enterprise, 802.1x; EAP-TLS; TTLS (CHAP, MS-CHAP, MS-CHAPv2, PAP or MD5); PEAP (MSCHAPv2); WPA2/AES, FIPS 140-2 compliant and IPv6
WPAN Wireless Data Communications	
Bluetooth	Class 2, Bluetooth v4.0 (Bluetooth® Smart)
Near Field Communication	P2P: ISO 18092 • Reader/Writer: ISO 14443 –A-B, MIFARE, FeliCa®, ISO 15693, NFC Forum Tag Types 1 to 4 • Card emulation: ISO 14443 –A-B-B', MIFARE, FeliCa RF • Distance up to 3 cm

Table A-1 *Technical Specifications (Continued)*

Item	Description
Sensors	
Gyroscope	Maintains orientation based on principles of conservation of angular momentum
Motion Sensor	3-axis accelerometer that enables motion-sensing applications for dynamic screen orientation and power management.
Ambient Light Sensor	Automatically adjusts display brightness, keypad and display backlight.
Electronic Compass	Independent — does not depend on GPS
Proximity Sensor	Shuts down the display when placed in a case.
Peripherals and Accessories	
Cradles	Charge Only Cradle Communication and Charging Cradle
Printers	Supports extensive line of Zebra approved printers
Printers	Supports extensive line of Zebra approved printers
Rugged Frame	Provides additional protection for the tablet.

SE4710 Expansion Back Decode Range

Table A-2 *SE4710 Decode Ranges*

Bar Code Type	Near Distance	Far Distance
	Typical	Typical
4 mil Code 39	3.3 in / 8.4 cm	8.8 in / 22.4 cm
5 mil Code 128	2.8 in / 7.1 cm	8.2 in / 20.8 cm
5 mil Code 39	2.0 in / 5.08 cm	13.5 in / 34.3 cm
5mil PDF417	3.1 in / 7.9 cm	8.4 in / 21.3 cm

*Limited by width of bar code in field of view.

Note: Photographic quality bar code at 15° tilt pitch angle under 30 fcd ambient illumination.

Table A-2 SE4710 Decode Ranges (Continued)

Bar Code Type	Near Distance	Far Distance
	Typical	Typical
10 mil Data Matrix	2.9 in / 7.4 cm	10.1 in / 25.7 cm
100% UPCA	1.8 in / 4.6 cm*	26.0 in / 66.0 cm
20.0mil Code 39	2.0 in / 5.08 cm*	30.0 in / 76.2 cm
20 mil QR Code	3.2 in / 8.1 cm	15.8 in / 40.1 cm

*Limited by width of bar code in field of view.

Note: Photographic quality bar code at 15° tilt pitch angle under 30 fcd ambient illumination.

SE4750 Expansion Back Decode Range

SE4750 SR Decode Ranges

Table A-3 SE4750 SR Decode Distances

Bar Code Type	Near Distance (in, typical)	Far Distance (in, typical)
3 mil Code 39	2.8	6.2
5 mil Code 128	2.3	8.7
5 mil PDF417	3.0	8.1
6.67mil PDF417	2.2	10.6
10 mil Data Matrix	2.4	10.6
100% UPCA	1.6*	23.0
15 mil Code 128	2.4*	25.2
20.0 mil Code 39	1.6*	36.3

* Limited by width of bar code in field of view.

Note: Photographic quality bar code at 18° tilt pitch angle under 30 fcd ambient illumination.

SE4750 MR Decode Ranges**Table A-4** SE4750 MR Decode Distances

Bar Code Type	Near Distance (in, typical)	Far Distance (in, typical)
5 mil Code 128	7.4	16.0
5 mil PDF417	8.1	13.1
7.5 mil Data Matrix	8.3	12.8
10 mil Data Matrix	7.0	17.0
13 mil UPCA	2.3*	38.0
15 mil Code 128	4.0*	40.0
20 mil Code 39	2.1*	54.0
100 mil Code 39	11.0	172.0
160 mil Data Matrix	11.5	138.0

* Limited by width of bar code in field of view.

Note: Photographic quality bar code at 18° tilt pitch angle under 30 fcd ambient illumination.

Accessory Specifications

Charge Only Cradle

Table A-5 Charge Only Cradle Technical Specifications

Feature	Description
Dimensions	Height: 7.9 cm (3.1 in.) Width: 14.2 cm (5.6 in.) Depth: 11.9 cm (4.7 in.)
Weight	550 g (19.4 oz)
Input Voltage	12 VDC
Power Consumption	60 watts
Operating Temperature	0°C to 40°C (32°F to 104°F)
Humidity	10% to 90% non-condensing
Electrostatic Discharge (ESD)	+/- 8 kV air +/- 4 kV contact

Communication and Charging Cradle

Table A-6 Communication and Charging Cradle Technical Specifications

Feature	Description
Dimensions	Height: 7.9 cm (3.1 in.) Width: 14.2 cm (5.6 in.) Depth: 11.9 cm (4.7 in.)
Weight	550 g (19.4 oz)
Input Voltage	12 VDC
Power Consumption	60 watts
Operating Temperature	0°C to 40°C (32°F to 104°F)
Humidity	5% to 90% non-condensing
Electrostatic Discharge (ESD)	+/- 8 kV air +/- 4 kV contact

Rugged Communication and Charging Cradle

Table A-7 *Rugged Communication and Charging Cradle Technical Specifications*

Feature	Description
Dimensions	Height: 7.9 cm (3.1 in.) Width: 14.2 cm (5.6 in.) Depth: 11.9 cm (4.7 in.)
Weight	550 g (19.4 oz)
Input Voltage	12 VDC
Power Consumption	60 watts
Operating Temperature	0°C to 40°C (32°F to 104°F)
Humidity	5% to 90% non-condensing
Electrostatic Discharge (ESD)	+/- 8 kV air +/- 4 kV contact

Expansion Backs

Table A-8 *8" Expansion Back Technical Specifications*

Feature	Description
Dimensions	Height: 137 mm (5.4 in.) Width: 157.5 mm (6.2 in.) Depth: 54 mm (2.1 in.)
Weight	246 g (8.7 oz)
Operating Temperature	0°C to 50°C (32°F to 122°F)
Storage Temperature	-20°C to 60°C (-40°F to 158°F)
Humidity	5% to 95% non-condensing
Drop	1.2 m (4 ft) drop to plywood over concrete per MIL-STD 810G across operating temperatures with rugged frame.
Electrostatic Discharge (ESD)	+/- 8 kV air +/- 4 kV contact

Table A-9 8" SE4710 Expansion Back Technical Specifications

Feature	Description
Dimensions	Height: 137 mm (5.4 in.) Width: 157.5 mm (6.2 in.) Depth: 54 mm (2.1 in.)
Weight	273 g (9.6 oz)
Operating Temperature	0°C to 50°C (32°F to 122°F)
Storage Temperature	-20°C to 60°C (-40°F to 158°F)
Humidity	5% to 95% non-condensing
Drop	1.2 m (4 ft) drop to plywood over concrete per MIL-STD 810G across operating temperatures with rugged frame.
Electrostatic Discharge (ESD)	+/- 8 kV air +/- 4 kV contact

Table A-10 8" SE4750 Expansion Back Technical Specifications

Feature	Description
Dimensions	Height: 137 mm (5.4 in.) Width: 157.5 mm (6.2 in.) Depth: 54 mm (2.1 in.)
Weight	273 g (9.6 oz)
Operating Temperature	0°C to 50°C (32°F to 122°F)
Storage Temperature	-20°C to 60°C (-40°F to 158°F)
Humidity	5% to 95% non-condensing
Drop	1.0 m (3.28 ft) drop to plywood over concrete per MIL-STD 810G across operating temperatures with rugged frame.
Electrostatic Discharge (ESD)	+/- 8 kV air +/- 4 kV contact

Table A-11 10" Expansion Back Technical Specifications

Feature	Description
Dimensions	Height: 157.7 mm (6.2 in.) Width: 184 mm (7.2 in.) Depth: 54 mm (2.1 in.)
Weight	307 g (10.8 oz)

Table A-11 10" Expansion Back Technical Specifications (Continued)

Feature	Description
Operating Temperature	0°C to 50°C (32°F to 122°F)
Storage Temperature	-20°C to 60°C (-40°F to 158°F)
Humidity	5% to 95% non-condensing
Drop	1.0 m (3.28 ft) drop to plywood over concrete per MIL-STD 810G across operating temperatures with rugged frame.
Electrostatic Discharge (ESD)	+/- 8 kV air +/- 4 kV contact

Table A-12 10" SE4710 Expansion Back Technical Specifications

Feature	Description
Dimensions	Height: 157.7 mm (6.2 in.) Width: 184 mm (7.2 in.) Depth: 54 mm (2.1 in.)
Weight	336.5 g (11.9 oz)
Operating Temperature	0°C to 50°C (32°F to 122°F)
Storage Temperature	-20°C to 60°C (-40°F to 158°F)
Humidity	5% to 95% non-condensing
Drop	1.0 m (3.28 ft) drop to plywood over concrete per MIL-STD 810G across operating temperatures with rugged frame.
Electrostatic Discharge (ESD)	+/- 8 kV air +/- 4 kV contact

Table A-13 10" SE4750 Expansion Back Technical Specifications

Feature	Description
Dimensions	Height: 157.7 mm (6.2 in.) Width: 184 mm (7.2 in.) Depth: 54 mm (2.1 in.)
Weight	336.5 g (11.9 oz)
Operating Temperature	0°C to 50°C (32°F to 122°F)
Storage Temperature	-20°C to 60°C (-40°F to 158°F)
Humidity	5% to 95% non-condensing

Table A-13 10" SE4750 Expansion Back Technical Specifications (Continued)

Feature	Description
Drop	1.0 m (3.28 ft) drop to plywood over concrete per MIL-STD 810G across operating temperatures with rugged frame.
Electrostatic Discharge (ESD)	+/- 8 kV air +/- 4 kV contact

INDEX

Numerics

A

accessories

- four slot charge only cradle 2-8, 2-12, 2-23
- single slot serial/USB cradle 2-4
- specifications A-7

B

- battery charging temperature A-2
- bullets x

C

- cleaning 4-1
- configuration 1-1
- configurations ix
- conventions
 - notational x
- CPU A-2
- cradles
 - four slot charge only 2-8, 2-12, 2-23
 - single slot 2-4

D

- data capture ix
- decode distances A-5, A-6
- decode ranges A-4
- dimensions A-1
- display ix, A-1
- drop specification A-3

F

- four slot charge only cradle 2-8, 2-12, 2-23

G

- getting started 1-1

H

- humidity A-2

I

- information, service xi

L

- lithium-ion battery 1-1

M

- main battery
 - installing 1-1
- maintenance 4-1
- memory ix, A-2

O

- operating environment, tablet A-1
- operating system ix, A-2
- operating temperature A-2

P

- parts of the tablet
 - front view 1-1

R

radiosix
related documentsxi
related softwarexi

S

single slot serial/USB cradle	2-4
specifications	A-1
starting the tablet	1-1
storage temperature	A-2

T

tablet configuration	1-1
technical specifications	
accessories	A-7
technical specifications, tablet	A-1
troubleshooting	4-5

U

unpacking	1-1
-----------------	-----

W

weight	A-1
WLAN 802.11a/b/g/nix, x
WPAN Bluetoothix, x



Zebra Technologies Corporation, Inc.
3 Overlook Point
Lincolnshire, IL 60069, U.S.A.
<http://www.zebra.com>

© 2017 ZIH Corp and/or its affiliates. All rights reserved. ZEBRA and the stylized Zebra head are trademarks of ZIH Corp, registered in many jurisdictions worldwide. All other trademarks are the property of their respective owners.